

CLG2050H-70H

FORKLIFT



Guangxi LiuGong Machinery Co.,Ltd.
No. 1 Liutai Road, Liuzhou, Guangxi.
545007
PR China
T: +86 0772 3886124
E: overseas@liugong.com
HQ: www.liugong.com
MH: www.lgforklift.cn

Like and follow us:



LIUGONG 102018-ENG

The LiuGong series of logos herein, including but not limited to word marks, device marks, letter of alphabet marks and combination marks, as the registered trademarks of Guangxi LiuGong Group Co., Ltd. are used by Guangxi LiuGong Machinery Co., Ltd. with legal permission, and shall not be used without permission. Specifications and designs are subject to change without notice. Illustrations and pictures may include optional equipment and may not include all standard equipment. Equipment and options varies by regional availability.

TOUGH WORLD. TOUGH EQUIPMENT.

MAXIMIZE YOUR RETURN ON INVESTMENT

LiuGong's **customer-driven** design and **quality-focused** engineering creates lasting value that will deliver to your bottom line.

DEPENDABLE POWER

Unmatched performance driven by the World-Class Engine.



ERGONOMIC

Widen operating space and reasonable design can give the operator better experience.



COMFORTABLE

The full hydraulic steering system allows for smooth steering in an ergonomic seating posture, hence improved operator's comfort.

HIGH EFFICIENCY

Newly optimized hydraulic system provides excellent lifting speed, assisting you to finish work efficiently and safely.

GOOD VIEW

The mast and overhead guard are designed for wider view, as well as operator's comfort and safety.



MAINTAINING

The engine hood and rear hood with big angle for easy to maintain.



PARTS

Using genuine LiuGong parts is key to keeping your costs low and your machine in top working order. Our extensive support network is always there when you need it, to maximize your business profitability.

AFTER SALES SERVICE

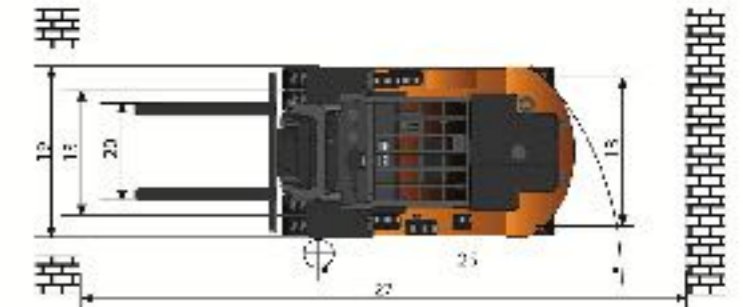
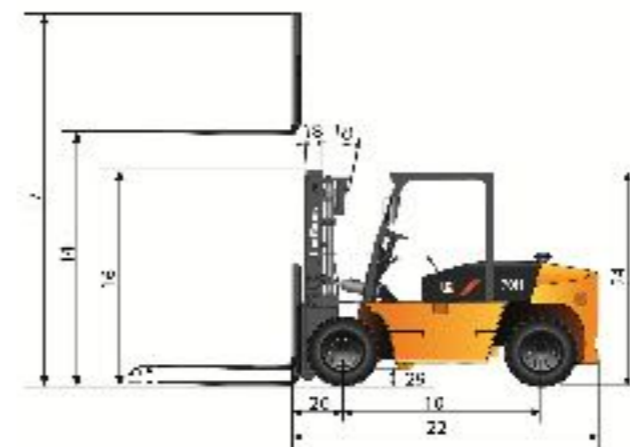
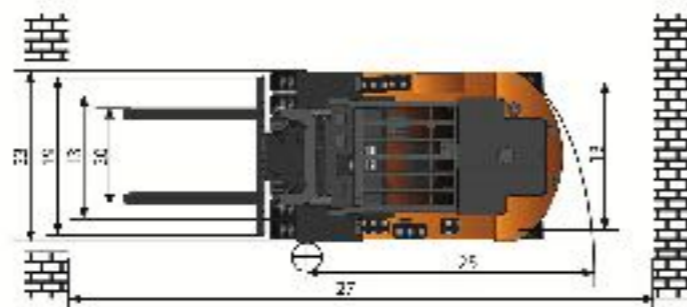
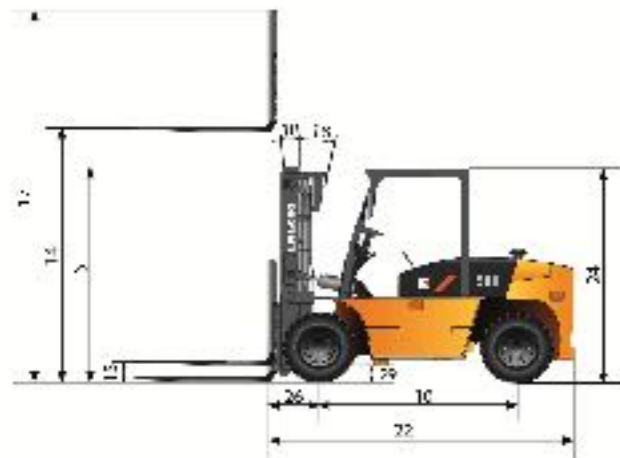
As a customer of LiuGong you can feel confident that our dealers and regional offices will be there to support you with training, service and maintenance needed throughout the life of your machine.

SPECIFICATION

General	Model	1			CLG2050H	CLG2060H	
	Power Type	2			Diesel	Diesel	
Base Capacity	3	@rated load center	kg	5,000	6,000		
Load Center	4		mm	600	600		
Weights	Service Weight	5	unloaded	kg	8,000	8,500	
	Axle Load	6	loaded / unloaded, front	kg	11,200 / 3,900	12,950 / 3,800	
		7	loaded / unloaded, rear	kg	1,800 / 4,100	1,550 / 4,700	
Tires	Tire Type	8			Pneumatic	Pneumatic	
	Wheels	9	front / rear		4 / 2	4 / 2	
	Wheelbase	10		mm	2,250	2,250	
	Tire Size	11	front		8.25-15-14PR	8.25-15-14PR	
		12	rear		8.25-15-14PR	8.25-15-14PR	
Mast	Tread Width	13	front / rear		1,474 / 1,730	1,474 / 1,730	
	Max. Fork Height	14	with std 2-stage mast	mm	3,000	3,000	
	Free lift	15	with std 2-stage mast	mm	200	210	
	Height, Upright Lowered	16	with std 2-stage mast	mm	2,534	2,534	
	Height, Upright Extended	17	with std 2-stage mast	mm	4,377	4,377	
	Mast Tilt, Fwd/Back	18	with std 2-stage mast	deg	6° / 12°	6° / 12°	
	Carriage	19	width	mm	1,840	1,840	
	Fork Spread	20	minimum / maximum	mm	300 / 1,840	300 / 1,840	
	Fork Dimensions	21	T x W x L	mm	50 x 150 x 1,520	65 x 150 x 1,520	
	Chassis	Length to Fork Face	22	with std 2-stage mast	mm	3,475	3,573
Overall Width		23		mm	2,040	2,040	
Overhead Guard Height		24		mm	2,520	2,520	
Turning Radius		25	minimum outside	mm	3,436	3,500	
Fork Overhang		26	with std 2-stage mast	mm	577	592	
Right Angle Stack		27	add load length and clearance	mm	4,956	5,093	
Ground Clearance		28	minimum loaded	mm	203	203	
		29	center of wheelbase	mm	250	250	
Performance	Travel Speed	30	loaded / unloaded	km/h	26 / 28	23 / 25	26 / 28
	Lift Speed	31	loaded / unloaded	m/s	0.48 / 0.53	0.48 / 0.53	0.46 / 0.53
	Lower Speed	32	loaded / unloaded	m/s	0.55 / 0.40	0.55 / 0.40	0.55 / 0.40
	Max. Drawbar Pull	33	loaded	kg	5,500	5,500	5,500
	Max. Gradeability	34	loaded / unloaded	%	28 / 20	28 / 20	24 / 20
Systems	Brakes	35	service		Foot / Air over Hyd	Foot / Hyd	Foot / Air over Hyd
		36	parking		Hand / Mech	Hand / Mech	Hand / Mech
		37	manufacturer		Yuchai	Isuzu	Yuchai
	Engine	38	model		YC4D100	A-6BG1QC-02	YC4D100
		39	emission compliance		CHN Stage III	EU Stage I	CHN Stage III
		40	cylinders		4	6	4
		41	displacement	liters	4.20	6.49	4.20
		42	rated power	kW/rpm	73.5 / 2,200	82.4 / 2,000	73.5 / 2,200
		43	Max. torque	N · m/rpm	400 / 1,500	416.8 / 1,500	400 / 1,500

SPECIFICATION

General	Model	1			CLG2060H	CLG2070H	
	Power Type	2			Diesel	Diesel	
Base Capacity	3	@rated load center	kg	6,000	7,000		
Load Center	4		mm	600	600		
Weights	Service Weight	5	unloaded	kg	8,500	9,300	
	Axle Load	6	loaded / unloaded, front	kg	12,950 / 3,800	14460/3800	
		7	loaded / unloaded, rear	kg	1,550 / 4,700	1840/5500	
Tires	Tire Type	8			Pneumatic	Pneumatic	
	Wheels	9	front / rear		4 / 2	4 / 2	
	Wheelbase	10		mm	2,250	2,250	
	Tire Size	11	front		8.25-15-14PR	8.25-15-14PR	
		12	rear		8.25-15-14PR	8.25-15-14PR	
Mast	Tread Width	13	front / rear		1,474 / 1,730	1,474 / 1,730	
	Max. Fork Height	14	with std 2-stage mast	mm	3,000	3,000	
	Free lift	15	with std 2-stage mast	mm	210	210	
	Height, Upright Lowered	16	with std 2-stage mast	mm	2,534	2,534	
	Height, Upright Extended	17	with std 2-stage mast	mm	4,377	4,377	
	Mast Tilt, Fwd/Back	18	with std 2-stage mast	deg	6° / 12°	6° / 12°	
	Carriage	19	width	mm	1,840	1,840	
	Fork Spread	20	minimum / maximum	mm	300 / 1,840	300 / 1,840	
	Fork Dimensions	21	T x W x L	mm	65 x 150 x 1,520	65 x 150 x 1,520	
	Chassis	Length to Fork Face	22	with std 2-stage mast	mm	3,573	3,650
Overall Width		23		mm	2,040	2,040	
Overhead Guard Height		24		mm	2,520	2,520	
Turning Radius		25	minimum outside	mm	3,500	3,560	
Fork Overhang		26	with std 2-stage mast	mm	592	592	
Right Angle Stack		27	add load length and clearance	mm	5,093	5,170	
Ground Clearance		28	minimum loaded	mm	203	203	
		29	center of wheelbase	mm	250	250	
Performance	Travel Speed	30	loaded / unloaded	km/h	23 / 25	26 / 28	23 / 25
	Lift Speed	31	loaded / unloaded	m/s	0.46 / 0.53	0.44 / 0.53	0.44 / 0.53
	Lower Speed	32	loaded / unloaded	m/s	0.55 / 0.40	0.55 / 0.40	0.55 / 0.40
	Max. Drawbar Pull	33	loaded	kg	5,500	5,500	5,500
	Max. Gradeability	34	loaded / unloaded	%	24 / 20	20 / 20	20 / 20
Systems	Brakes	35	service		Foot / Hyd	Foot / Air over Hyd	Foot / Hyd
		36	parking		Hand / Mech	Hand / Mech	Hand / Mech
		37	manufacturer		Isuzu	Yuchai	Isuzu
	Engine	38	model		A-6BG1QC-02	YC4D100	A-6BG1QC-02
		39	emission compliance		EU Stage I	CHN Stage III	EU Stage I
		40	cylinders		6	4	6
		41	displacement	liters	6.49	4.20	6.49
		42	rated power	kW/rpm	82.4 / 2,000	73.5 / 2,200	82.4 / 2,000
		43	Max. torque	N · m/rpm	416.8 / 1,500	400 / 1,500	416.8 / 1,500

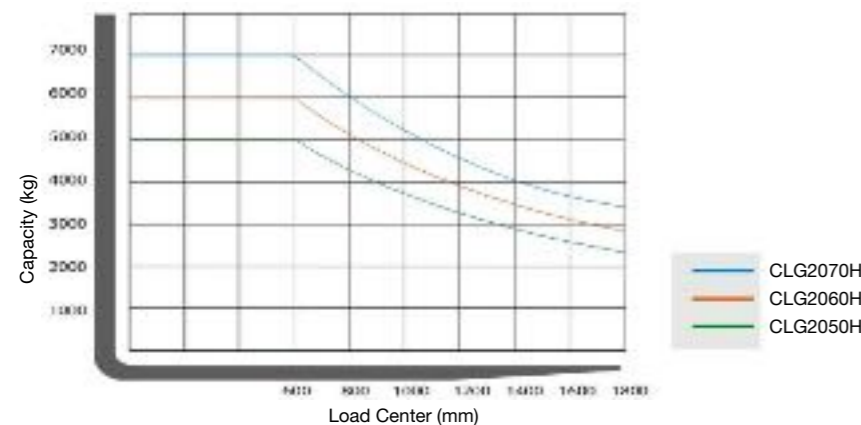


CAPACITY

Mast type	Maximum Fork Height (MFH)	Mast Overall Lowered Height (OAL)	Free Lift with Load Backrest	Mast Tilt Angle (F/B)	Rated Load Capacity						Total Weight with Standard Forks		
					With Standard Forks			With Sideshifter					
					2050H	2060H	2070H	2050H	2060H	2070H	2050H	2060H	2070H
	mm	mm	mm	degree	kg @ (600mm LC)			kg @ (600mm LC)			Kg		
Standard 2-Stage	3000	2534	200	6 / 12	5000	6000	7000	4500	5400	6300	7850	8350	9150
	3500	2784	200	6 / 12	5000	6000	7000	4500	5400	6300	7940	8440	9230
	4000	3084	200	6 / 12	5000	6000	7000	4500	5400	6300	8060	8560	9320
	4500	3334	200	6 / 12	5000	6000	7000	4500	5400	6300	8230	8730	9470
	5000	3584	200	6 / 6	4700	5700	6600	4200	5100	5900	8330	8830	9550
	5500	3884	200	3 / 6	4400	5500	6200	3900	4800	5500	8520	9020	9710
6000	4134	200	3 / 6	4100	5100	5800	3600	4500	5100	8620	9120	9790	

Mast type	Maximum Fork Height (MFH)	Mast Overall Lowered Height (OAL)	Free Lift with Load Backrest*	Mast Tilt Angle (F/B)	Rated Load Capacity						Total Weight with Standard Forks		
					With Standard Forks			With Sideshifter					
					2050H	2060H	2070H	2050H	2060H	2070H	2050H	2060H	2070H
	mm	mm	mm	degree	kg @ (600mm LC)			kg @ (600mm LC)			Kg		
Full Free 2-Stage	2500	2284	908	6 / 12	5000	6000	7000	4500	5400	6300	7790	8290	9100
	3000	2534	1148	6 / 12	5000	6000	7000	4500	5400	6300	7890	8390	9210

Mast type	Maximum Fork Height (MFH)	Mast Overall Lowered Height (OAL)	Free Lift with Load Backrest*	Mast Tilt Angle (F/B)	Rated Load Capacity						Total Weight with Standard Forks		
					With Standard Forks			With Sideshifter					
					2050H	2060H	2070H	2050H	2060H	2070H	2050H	2060H	2070H
	mm	mm	mm	degree	kg @ (600mm LC)			kg @ (600mm LC)			Kg		
Full Free 3-Stage	4000	2574	1198	6 / 12	4600	5500	6200	4100	4900	5600	8320	8820	9620
	4500	2745	1358	6 / 12	4600	5500	6200	4100	4900	5600	8450	8950	9720
	5000	2912	1524	6 / 6	4300	5200	5800	3800	4600	5200	8540	9040	9780
	5500	3078	1692	3 / 6	4000	4900	5400	3500	4300	4800	8630	9130	9880
	6000	3244	1860	3 / 6	3700	4600	5000	3200	4000	4400	8790	9290	9990



Note:
Vertical axle stands for load capacity while horizontal axle stands for load center, Load center is the distance counted from the front of the fork.,The base point of the standard load is the center point of the cubic with the same 1200mm dimension in length, width and height. The load capacity should be down if mast tilt forward or using non-standard forks of loading goods with extra width. Please realize the different load capacity between different load centers according to load chart.

STANDARD CONFIGURATION

POWER SYSTEM

- Yuchai 4D100 diesel engine
- Two-speed automatic transmission
- High strength drive axle
- Heavy duty steering axle
- Air filter with dual-elements
- Fuel system pre-filter
- Radiator
- Middle exhaust

HYDRAULIC SYSTEM

- 2-funtion hydraulic valve
- Hydrostatic steering
- Oil filter for intake and return

ELECTRIC SYSTEM

- 2 batteries
- Front flood lights
- Front steering lights
- Rear combination lights
- Buzzer for back off

UNDERCARRIAGE

- High strength frame
- 1 piece counterweight
- Tow pin
- Air filled pneumatic drive tires
- Air filled pneumatic steer tires

MAST

- 3.0M Standard 2-stage mast
- 1840mm Wide Class IV carriage
- Load backrest
- 1520mm long Class IV pallet forks

OPERATOR STATION

- Overhead guard
- Locks for engine hood
- Vinyl cushion seat with seat belt
- Ignition lock
- Display with alarms, fuel rate, water temperature, working hour
- Tilt steering column
- Inching, brake and accelerator pedals
- Hand parking
- Floor mat

OPTIONAL CONFIGURATION

POWER SYSTEM

- Isuzu A-6BG1QC-02 diesel engine
- Perkins 1104D-44TA diesel engine
- PSI GM4.3 engine (Gas/LPG)
- Elevated air pre-cleaner
- 2nd refined air filter
- Vertical exhaust

HYDRAULIC SYSTEM

- 3-funtion hydraulic valve
- 4-funtion hydraulic valve
- Hydraulic oil radiator

ELECTRIC SYSTEM

- Rear working light
- Amber warning light
- License plate light

UNDERCARRIAGE

- Solid pneumatic drive tires
- Solid pneumatic steer tires

MAST

- Full free 2-stage mast
- Full free 3-stage mast
- Longer Class IV pallet forks

OPERATION STATION

- Enclosed cabin
- Heater for cabin
- Operator fan
- Fire extinguisher
- Anti-corrosion lifting and tilting cylinde
- Protective cover for tilt cylinde
- Master key
- Hydraulic electronic shifting
- Half-suspension vinyl seat(tiancheng)
- Grammer full-suspension vinyl seat