

Model	Capacity @ 600 mm LC	Fuel Type	Engine
2160H	16,000 kg	Diesel	Cummins QSB6.7 / 6.7 L

2160H

Diesel
Pneumatic Tire Forklifts

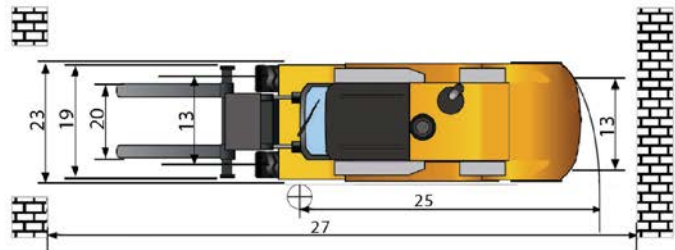
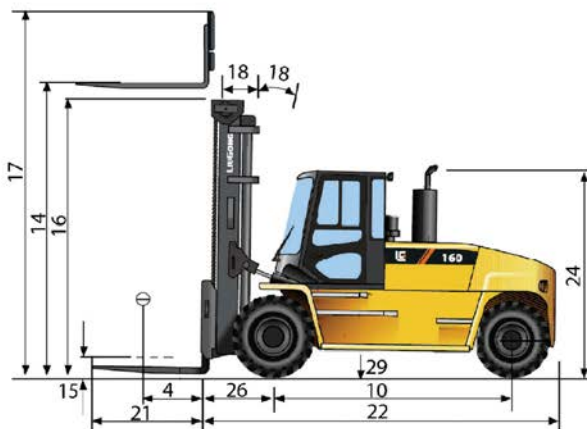


TOUGH WORLD. TOUGH EQUIPMENT.

2160H Diesel • Pneumatic Tire Forklifts



General	1	Model			2160H
	2	Power Type			Diesel Tier III
	3	Base Capacity	@ rated load center	kg	16,000
	4	Load Center		mm	600
Weights	5	Service Weight	unloaded	kg	19,750
	6	Axle Load	loaded / unloaded, front	kg	32,555 / 9,360
	7		loaded / unloaded, rear	kg	3,195 / 10,390
Tires	8	Tire Type			Pneumatic
	9	Wheels	front / rear		4 / 2
	10	Wheelbase		mm	3,500
	11	Tire Size	front		12.00-20-18PR
	12		rear		12.00-20-18PR
	13	Tread Width	front / rear		1,844 / 2,000
Mast	14	Max. Fork Height	with std 2 - stage mast	mm	4,000
	15	Freelift	with std 2 - stage mast	mm	20
	16	Height, Upright Lowered	with std 2 - stage mast	mm	3,879
	17	Height, Upright Extended	with std 2 - stage mast	mm	5,879
	18	Mast Tilt, Fwd / Back	with std 2 - stage mast	deg	6° / 12°
	19	Carriage	width	mm	2,130
	20	Fork Spread	minimum/ maximum	mm	470 / 2050
	21	Fork Dimensions	T x W x L	mm	87 x 200 x 1,500
Chassis	22	Length to Fork Face	with std 2 - stage mast	mm	5,374
	23	Overall Width		mm	2,537
	24	Overhead Guard Height		mm	2,900
	25	Turning Radius	minimum outside	mm	4,885
	26	Fork Overhang	with std 2 - stage mast	mm	974
	27	Right Angle Stack	add load length and clearance	mm	7,560
	28	Ground Clearance	minimum loaded	mm	340
	29		center of wheelbase	mm	348
Performance	30	Travel Speed	loaded / unloaded	km/h	23 / 26
	31	Lift Speed	loaded / unloaded	m/s	0.33 / 0.41
	32	Lower Speed	loaded / unloaded	m/s	0.32 / 0.34
	33	Max. Drawbar Pull	loaded	kg	11,100
	34	Max. Gradeability	loaded / unloaded	%	28/ 26
Systems	35	Brakes	service		Foot / Hyd
	36		parking		Button / Hyd
	37		manufacturer		Cummins
	38	Engine	model		QSB6.7
	39		emission compliance		EPA/Euro Tier III
	40		cylinders		6
	41		displacement	liter	6.7
	42		rated power	kW/rpm	129 / 2,200
	43		max. torque	N • m/rpm	800 / 1,400



Guangxi Liugong Machinery Co., Ltd.
 No. 1 Liutai Road, Liuzhou, Guangxi 545007, PR China
 T: +86 772 3886124 E: overseas@liugong.com
 www.liugong.com

02/2014 Designed by LiuGong

Specifications and designs are subject to change without notice. Machines shown may include optional equipment.