

Model	Capacity @ 500 mm LC	Fuel Type	Engine
CPCD40	4,000 kg	Diesel	Xinchai A498BPG / 3.17 L

# CPCD40

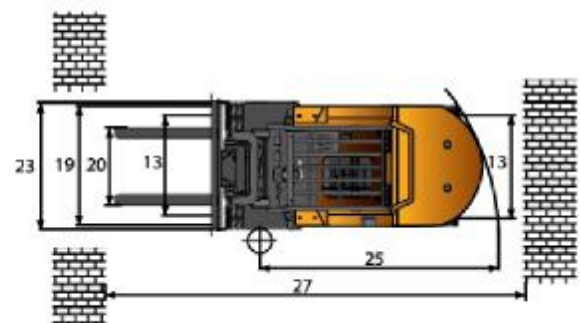
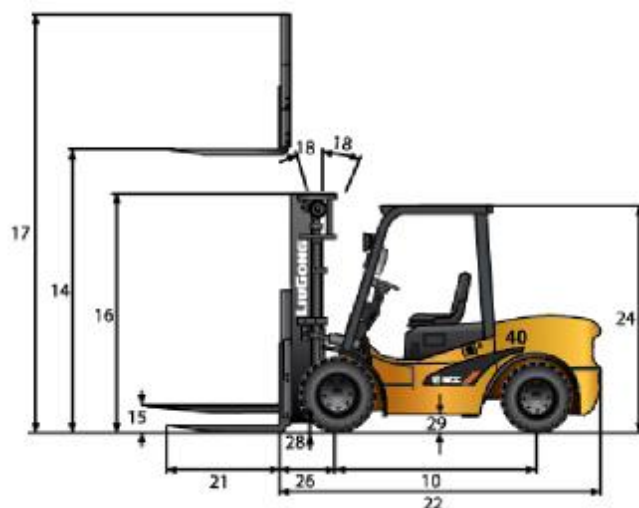
Diesel  
Pneumatic Tire Forklifts



# CPCD40 Diesel · Pneumatic Tire Forklifts



General	1	Model			CPCD40
	2	Power Type			Diesel Tier II
	3	Base Capacity	@ rated load center	kg	4,000
	4	Load Center		mm	500
Weights	5	Service Weight	unloaded	kg	5,450
	6	Axle Load	loaded / unloaded, front	kg	8,410 / 2,180
	7		loaded / unloaded, rear	kg	1,040 / 3,270
Tires	8	Tire Type			Pneumatic
	9	Wheels	front / rear		2/2
	10	Wheelbase		mm	1,900
	11	Tire Size	front		250-15-16PR
	12		rear		7.00-12-12PR
	13	Tread Width	front / rear		1,130 / 1,100
Mast	14	Max. Fork Height	with std 2 - stage mast	mm	3,000
	15	Freelift	with std 2 - stage mast	mm	160
	16	Height, Upright Lowered	with std 2 - stage mast	mm	2,245
	17	Height, Upright Extended	with std 2 - stage mast	mm	4,135
	18	Mast Tilt, Fwd / Back	with std 2 - stage mast	deg	6° / 12°
	19	Carriage	width	mm	1,400
	20	Fork Spread	minimum/ maximum	mm	250 / 1340
Chassis	21	Fork Dimensions	TxWxL	mm	50 x 125 x 1,220
	22	Length to Fork Face	with std 2 - stage mast	mm	3,040
	23	Overall Width		mm	1,405
	24	Overhead Guard Height		mm	2,150
	25	Turning Radius	minimum outside	mm	2,700
	26	Fork Overhang	with std 2 - stage mast	mm	530
	27	Right Angle Stack	add load length and clearance	mm	4,650
	28	Ground Clearance	minimum loaded	mm	135
29	center of wheelbase		mm	150	
Performance	30	Travel Speed	loaded / unloaded	km/h	19 / 19.5
	31	Lift Speed	loaded / unloaded	m/s	0.40 / 0.43
	32	Lower Speed	loaded / unloaded	m/s	0.47 / 0.35
	33	Max. Drawbar Pull	loaded	kg	1,900
	34	Max. Gradeability	loaded / unloaded	%	18/ 20
Systems	35	Brakes	service		Foot / Hyd
	36		parking		Hand / Mechanic
	37		manufacturer		Xinchai
	38	Engine	model		A498BPG
	39		emission compliance		Tier II
	40		cylinders		4
	41		displacement	liter	3.17
	42		rated power	kW/rpm	45/ 2,500
	43		max. torque	N · m/rpm	193 / 1,800



Guangxi Liugong Machinery Co., Ltd.  
 No. 1 Liutai Road, Liuzhou, Guangxi 545007, PR China  
 T: +86 772 3886124 E: [overseas@liugong.com](mailto:overseas@liugong.com)  
[www.liugong.com](http://www.liugong.com)

02/2014 Designed by LiuGong

Specifications and designs are subject to change without notice. Machines shown may include optional equipment.