



Power Type
Base Capacity

Diesel
2500/3000/3500 kg

CLG2025/30/35H-RT4

**FOUR-WHEEL DRIVE ROUGH
TERRAIN FORKLIFT**

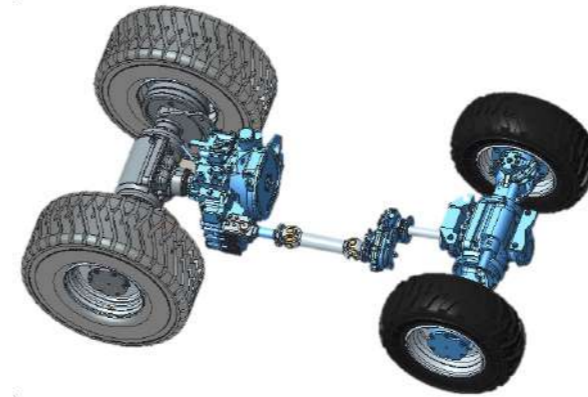
CLG2025/30/35H-RT4

FOUR-WHEEL DRIVE ROUGH TERRAIN FORKLIFT

The Liugong 2.5-3.5t rough terrain forklift is a tough, compact forklift with a two-wheel drive system. It has the characteristics of excellent maneuverability, high stability, high efficiency and good reliability. It is especially suitable for rugged terrain.

EXCELLENT MANEUVERABILITY

- ▶ The high ground clearance and large departure Angle design provide greater maneuverability and keeps truck moving in the roughest of applications.
- ▶ The differential with automatic locking function, providing ultimate traction during inclement weather conditions and rough operating surfaces.
- ▶ Oscillating steer axle allows either wheel to step over obstacles keeping the truck and load level.
- ▶ Equipped with full hydraulic steering system to make the steering flexible and light.



▶ 4 drive transmission

▶ Drive axle is equipped with wide-base and deep tread tires.

Rear tyre:10.0-16.5-10PR

Front tyre:14-17.5-14PR





Increase the width of fender to reduce mud splashing.

LED light

High exhaust

Air inlet filter beforehand

HIGH STABILITY

Wheel base increased by 25% and wheelbase increased by 10%, providing better stability in rough terrain.



Large and shock-absorbing seat.



Superior full floating operator cabin.

HIGH EFFICIENCY & GOOD RELIABILITY



01 The integrated electric box makes maintenance and repair convenient with better water-proof performance.



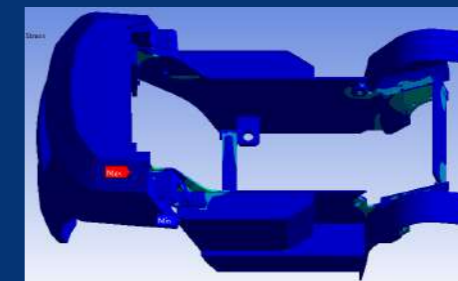
02 Heavy duty steering axle with tapered bearings.



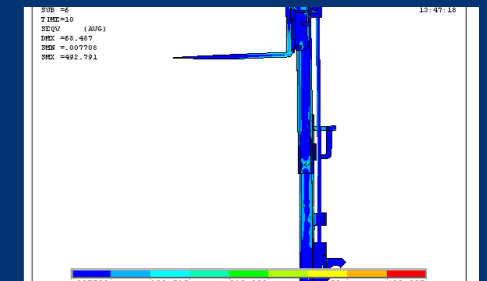
03 The combined radiator with serpentine wave and optimized heat dissipation channel enhance the heat dissipation capability to keep engine reliability even in heavy-duty applications.



04 Dual air filter to adapt to dust conditions, prolong the service life of the engine.



05 Through CAE simulation analysis, the frame and the mast adapt to the impact of heavy load and rugged terrain. The mast tilt angle F/R reaches to 10°/12°.





SPECIFICATION

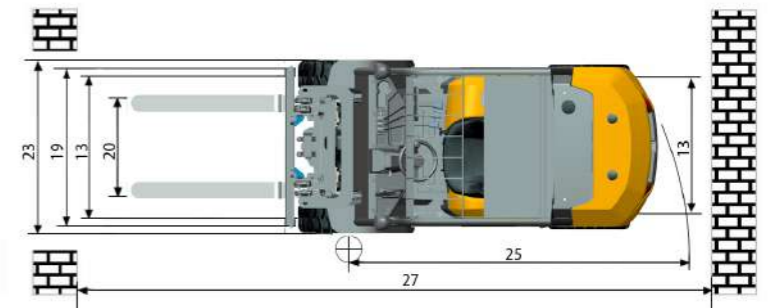
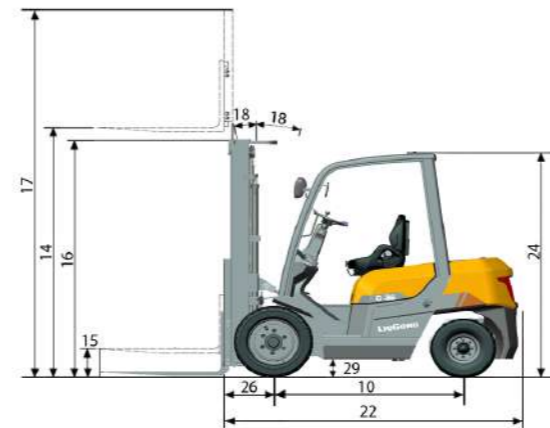
General	Model	1		CLG2025H-RT4	CLG2030H-RT4	CLG2035H-RT4	
	Power Type	2		Diesel	Diesel	Diesel	
Weights	Base Capacity	3	kg	2500	3000	3500	
	Load Center	4	@ rated load center	mm	500	500	500
Weights	Service Weight	5	unloaded	kg	4900	5350	5650
	Axle Load	6	loaded/unloaded, front	kg	6190/2130	7200/2340	7900/2300
Weights		7	loaded/unloaded, rear	kg	1160/2720	1140/3000	1200/3300
	Tire Type	8		Pneumatic	Pneumatic	Pneumatic	
Tires	Wheels	9	front / rear	2x/2x	2x/2x	2x/2x	
	Wheelbase	10		mm	1880	1880	1880
Tires	Tire Size	11	front	14-17.5-14PR	14-17.5-14PR	14-17.5-14PR	
		12	rear	10.0-16.5-10PR	10.0-16.5-10PR	10.0-16.5-10PR	
Tires	Tread Width	13	front/rear	mm	1250/1220	1250/1190	1250/1190
	Max. Fork Height	14	with std 2-stage mast	mm	3000	3000	3000
Mast	Freelift	15	with std 2-stage mast	mm	100	100	100
	Height, Upright Lowered	16	with std 2-stage mast	mm	2355	2355	2355
Mast	Height, Upright Extended	17	with std 2-stage mast	mm	4310	4310	4310
	Mast Tilt, Fwd/Back	18	with std 2-stage mast	deg	10/12	10/12	10/12
Mast	Carriage	19	width	mm	1200	1200	1200
	Fork Spread	20	minimum/maximum	mm	260-1200	260-1200	260-1200
Mast	Fork Dimension	21	T x W x L	mm	122 x 50 x 1070	122 x 50 x 1070	122 x 50 x 1070
	Length to Fork Face	22	with std 2-stage mast	mm	3100	3100	3100
Chassis Performance	Overall Width	23		mm	1600	1600	1600
	Overhead Guard Height	24		mm	2410	2410	2410
Chassis Performance	Turning Radius	25	minimum outside	mm	3300	3300	3300
	Fork Overhang	26	with std 2-stage mast	mm	590	590	590
Chassis Performance	Min.right Angle Stack	27		mm	3500	3500	3500
	Min.right angle stacking aisle width	28	add load length and clearance	mm	5305	5320	5320
Chassis Performance	Ground Clearance	29	center of wheelbase	mm	270	270	270
		30	loaded/unloaded	mm	265	265	265
Chassis Performance	Travel Speed	31	loaded/unloaded	km/h	23/25	23/25	23/25
	Lift Speed	32	loaded/unloaded	mm/s	620/640	490/510	500/520
Chassis Performance	Lower Speed	33	loaded/unloaded	mm/s	500/440	500/450	500/450
	Max. Drawbar Pull	34	loaded	kg	38.8	38.8	38.8
Systems	Max. Gradeability	35	loaded/unloaded	%	46	40	36
	Brakes	36	service		Foot/Hyd	Foot/Hyd	Foot/Hyd
		37	Parking		Hand/Mech	Hand/Mech	Hand/Mech

Engine	manufacturer	YANMAR	KUBOTA	XINCHAI
	model	4TNE98	V2403-CR-TE5B	A498BPG-558B
emission compliance	EU Stage IIIA	EU Stage V	CHN Stage II	
cylinders	4	4	4	
displacement	liter	3.319	4-87X102.4/2.434	3.17
rated power	kW/rpm	43/2450	42.6/2400	45/2500
max. torque	N.m/rpm	187/1600	186.3/1600-1800	210/1800

CAPACITY

Mast type	Maximum Fork Height (MFH)	Mast Overall Lowered Height (OAL)	Free Lift with Load Backrest	Mast Tilt Angle (F/B)	Rated Load Capacity						Total Weight with Standard Forks		
					With Standard Forks			With Sideshifter					
CLG2025/30/35H-RT4					CLG2025H-RT4	CLG2030H-RT4	CLG2035H-RT4	CLG2025H-RT4	CLG2030H-RT4	CLG2035H-RT4	CLG2025H-RT4	CLG2030H-RT4	CLG2035H-RT4
	mm	mm	mm	°	kg @ (500mm) LC			kg @ (500mm) LC			kg		
Standard 2-Stage	3000	2355	100	10/12	2500	3000	3500	2350	2850	3350	4975	5425	5675
	4000	2905	100	10/12	2300	2800	3300	2150	2650	3150	5075	5525	5775

Mast type	Maximum Fork Height (MFH)	Mast Overall Lowered Height (OAL)	Free Lift with Load Backrest	Mast Tilt Angle (F/B)	Rated Load Capacity						Total Weight with Standard Forks		
					With Standard Forks			With Sideshifter					
CLG2025/30/35H-RT4					CLG2025H-RT4	CLG2030H-RT4	CLG2035H-RT4	CLG2025H-RT4	CLG2030H-RT4	CLG2035H-RT4	CLG2025H-RT4	CLG2030H-RT4	CLG2035H-RT4
	mm	mm	mm	°	kg @ (500mm) LC			kg @ (500mm) LC			kg		
Full Free 3-Stage	4500	2450	1425	10/12	2000	2500	3000	1850	2350	2850	5260	5710	5960





TOUGH WORLD. TOUGH EQUIPMENT.

Liuzhou LiuGong Forklift Co., Ltd.

No. 1 Yanghe Road, Liuzhou, Guangxi 545007, PR China

T: +86 772 388 6124

E: overseas@liugong.com

MH: www.lgforklift.cn

LG-PB-CLG2030/35H-R-122024-ENG

The LiuGong series of logos herein, including but not limited to word marks, device marks, letter of alphabet marks and combination marks, as the registered trademarks of Guangxi LiuGong Group Co., Ltd. are used by Guangxi LiuGong Machinery Co., Ltd. with legal permission, and shall not be used without permission. Specifications and designs are subject to change without notice. Illustrations and pictures may include optional equipment and may not include all standard equipment. Equipment and options varies by regional availability.