

# CLG2100H-120H LIUGONG

FORKLIFT



Guangxi LiuGong Machinery Co.,Ltd.  
No. 1 Liutai Road, Liuzhou, Guangxi.  
545007  
PR China  
T: +86 0772 3886124  
E: [overseas@liugong.com](mailto:overseas@liugong.com)  
HQ: [www.liugong.com](http://www.liugong.com)  
MH: [www.lgforklift.cn](http://www.lgforklift.cn)

Like and follow us:



LIUGONG 122018-ENG

The LiuGong series of logos herein, including but not limited to word marks, device marks, letter of alphabet marks and combination marks, as the registered trademarks of Guangxi LiuGong Group Co., Ltd. are used by Guangxi LiuGong Machinery Co., Ltd. with legal permission, and shall not be used without permission. Specifications and designs are subject to change without notice. Illustrations and pictures may include optional equipment and may not include all standard equipment. Equipment and options varies by regional availability.

TOUGH WORLD. TOUGH EQUIPMENT.



# MAXIMIZE YOUR RETURN ON INVESTMENT

## CONCISE AND EASY TO USE

The design of the whole machine is simple and clear, and the outline lines are simple and durable.

Open console, spacious and comfortable.

The new joystick is placed on the right side of the seat to keep you at your fingertips.



## FLEXIBLE AND COMPACT

Can easy enter the container for handling operation with its compact body.

Standard front view imaging equipment for safety and efficiency.

Standard integral side shifter, convenient and flexible.



## ERGONOMIC

Select the most reliable engine, drive axle, transmission and hydraulic components in the industry.

Double filter air filter with cyclone dust collector, the air is clean and more durable for the engine.

Adopt a series of waterproof, dustproof and centralized control fuse box design.

The whole machine undergoes high-strength intensification test to ensure the maximum service life of the whole machine.

## AFTER SALES SERVICE

As a customer of LiuGong you can feel confident that our dealers and regional offices will be there to support you with training, service and maintenance needed throughout the life of your machine.

## MAINTAINING

The engine hood and rear hood with big angle for easy to maintain.

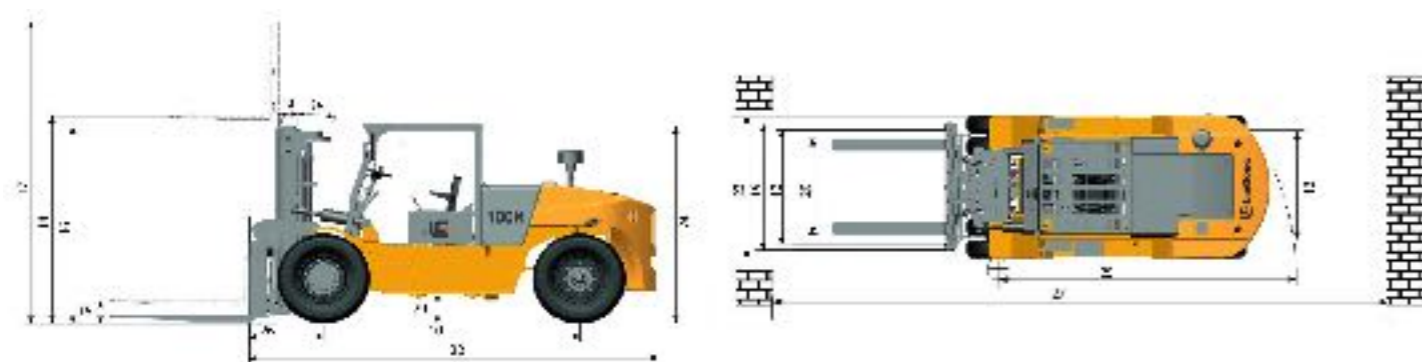
## PARTS

Using genuine LiuGong parts is key to keeping your costs low and your machine in top working order. Our extensive support network is always there when you need it, to maximize your business profitability.



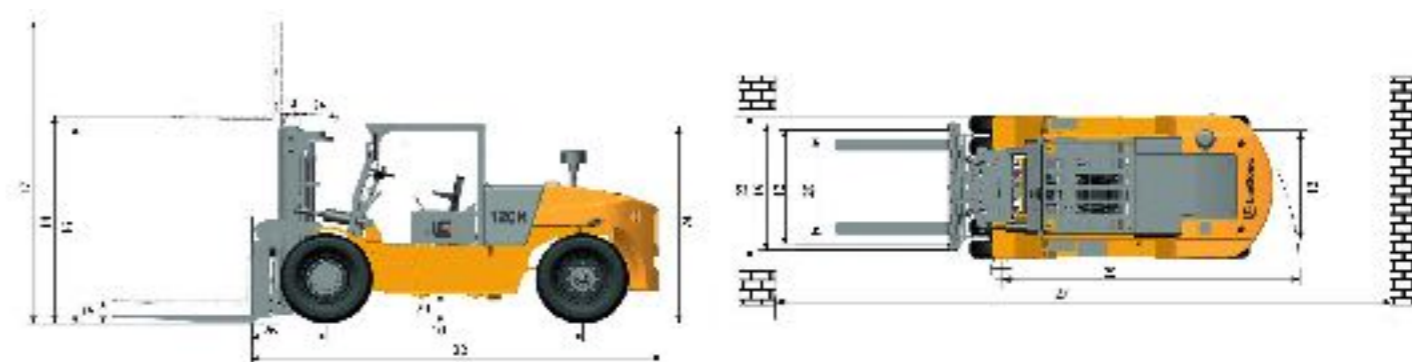
# SPECIFICATION

<b>General</b>	<b>Model</b>	1			CLG2100H	
	<b>Power Type</b>	2			Diesel	
	<b>Base Capacity</b>	3	@rated load center	kg	10,000	
	<b>Load Center</b>	4		mm	600	
<b>Weights</b>	<b>Service Weight</b>	5	unloaded	kg	12,160	
	<b>Axle Load</b>	6	loaded / unloaded, front	kg	19,660 / 5,160	
		7	loaded / unloaded, rear	kg	2,500 / 7,000	
<b>Tires</b>	<b>Tire Type</b>	8			Pneumatic	
	<b>Wheels</b>	9	front / rear		4 / 2	
	<b>Wheelbase</b>	10		mm	2,800	
	<b>Tire Size</b>	11	front		9.00x20-14PR	
		12	rear		9.00x20-14PR	
<b>Mast</b>	<b>Tread Width</b>	13	front / rear		1,440 / 1,720	
	<b>Max. Fork Height</b>	14	with std 2-stage mast	mm	2,000	
	<b>Free lift</b>	15	with std 2-stage mast	mm	1,100	
	<b>Height, Upright Lowered</b>	16	with std 2-stage mast	mm	2,230	
	<b>Height, Upright Extended</b>	17	with std 2-stage mast	mm	3,430	
	<b>Mast Tilt, Fwd/Back</b>	18	with std 2-stage mast	deg	6° / 12°	
	<b>Carriage</b>	19	width	mm	1,800	
	<b>Fork Spread</b>	20	minimum / maximum	mm	430-1,720	
	<b>Fork Dimensions</b>	21	T x W x L	mm	87×200×1,500	
	<b>Chassis</b>	<b>Length to Fork Face</b>	22	with std 2-stage mast	mm	4,460
<b>Overall Width</b>		23		mm	2,000	
<b>Overhead Guard Height</b>		24		mm	2,225	
<b>Turning Radius</b>		25	minimum outside	mm	4,060	
<b>Fork Overhang</b>		26	with std 2-stage mast	mm	830	
<b>Right Angle Stack</b>		27	add load length and clearance	mm	6,180	
<b>Ground Clearance</b>		28	minimum loaded	mm	240	
		29	center of wheelbase	mm	300	
<b>Performance</b>	<b>Travel Speed</b>	30	loaded / unloaded	km/h	23 / 28	
	<b>Lift Speed</b>	31	loaded / unloaded	m/s	350 / 370	
	<b>Lower Speed</b>	32	loaded / unloaded	m/s	400 / 360	
	<b>Max. Drawbar Pull</b>	33	loaded	kg	72	
	<b>Max. Gradeability</b>	34	loaded / unloaded	%	30	
<b>Systems</b>	<b>Brakes</b>	35	service		Foot / Hyd	
		36	parking		Hand / Mech	
		37	manufacturer		Yuchai	
	<b>Engine</b>	38	model			YC4A125-T300
		39	emission compliance			CHN Stage III
		40	cylinders			6
		41	displacement	liters		6.494
		42	rated power	kW/rpm		92
		43	Max. torque	N · m/rpm		525 / 1,500



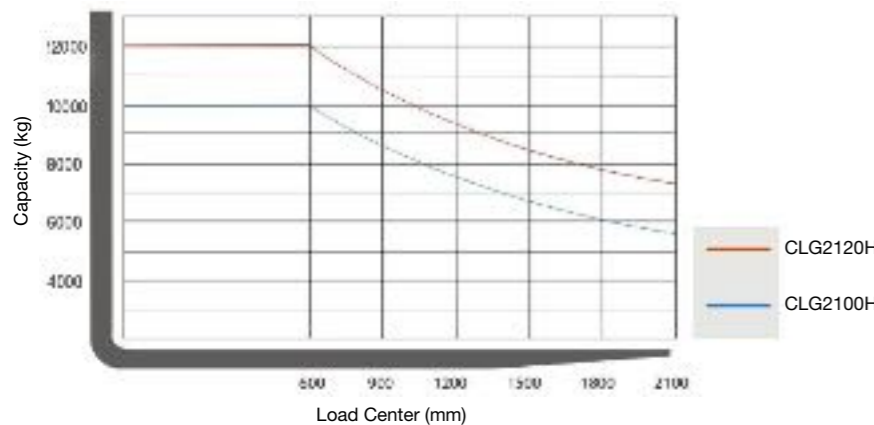
# SPECIFICATION

<b>General</b>	<b>Model</b>	1			CLG2120H	
	<b>Power Type</b>	2			Diesel	
	<b>Base Capacity</b>	3	@rated load center	kg	12,000	
	<b>Load Center</b>	4		mm	600	
<b>Weights</b>	<b>Service Weight</b>	5	unloaded	kg	12,760	
	<b>Axle Load</b>	6	loaded / unloaded, front	kg	20,160 / 5,020	
		7	loaded / unloaded, rear	kg	2,600 / 7,740	
<b>Tires</b>	<b>Tire Type</b>	8			Pneumatic	
	<b>Wheels</b>	9	front / rear		4 / 2	
	<b>Wheelbase</b>	10		mm	3,000	
	<b>Tire Size</b>	11	front		9.00x20-14PR	
		12	rear		9.00x20-14PR	
<b>Mast</b>	<b>Tread Width</b>	13	front / rear		1,440 / 1,720	
	<b>Max. Fork Height</b>	14	with std 2-stage mast	mm	2,000	
	<b>Free lift</b>	15	with std 2-stage mast	mm	1,100	
	<b>Height, Upright Lowered</b>	16	with std 2-stage mast	mm	2,230	
	<b>Height, Upright Extended</b>	17	with std 2-stage mast	mm	3,430	
	<b>Mast Tilt, Fwd/Back</b>	18	with std 2-stage mast	deg	6° / 12°	
	<b>Carriage</b>	19	width	mm	1,800	
	<b>Fork Spread</b>	20	minimum / maximum	mm	430-1,720	
	<b>Fork Dimensions</b>	21	T x W x L	mm	87×200×1,500	
	<b>Chassis</b>	<b>Length to Fork Face</b>	22	with std 2-stage mast	mm	4,460
<b>Overall Width</b>		23		mm	2,000	
<b>Overhead Guard Height</b>		24		mm	2,225	
<b>Turning Radius</b>		25	minimum outside	mm	4,350	
<b>Fork Overhang</b>		26	with std 2-stage mast	mm	830	
<b>Right Angle Stack</b>		27	add load length and clearance	mm	6,470	
<b>Ground Clearance</b>		28	minimum loaded	mm	240	
		29	center of wheelbase	mm	300	
<b>Performance</b>	<b>Travel Speed</b>	30	loaded / unloaded	km/h	23 / 28	
	<b>Lift Speed</b>	31	loaded / unloaded	m/s	310 / 350	
	<b>Lower Speed</b>	32	loaded / unloaded	m/s	350 / 320	
	<b>Max. Drawbar Pull</b>	33	loaded	kg	72	
	<b>Max. Gradeability</b>	34	loaded / unloaded	%	27	
<b>Systems</b>	<b>Brakes</b>	35	service		Foot / Hyd	
		36	parking		Hand / Mech	
		37	manufacturer		Yuchai	
	<b>Engine</b>	38	model			YC4A125-T300
		39	emission compliance			CHN Stage III
		40	cylinders			6
		41	displacement	liters		6.494
		42	rated power	kW/rpm		92
		43	Max. torque	N · m/rpm		525 / 1,500





# APPLICATION



**Note:**  
Vertical axle stands for load capacity while horizontal axle stands for load center, Load center is the distance counted from the front of the fork. The base point of the standard load is the center point of the cubic with the same 1200mm dimension in length, width and height. The load capacity should be down if mast tilt forward or using non-standard forks of loading goods with extra width. Please realize the different load capacity between different load centers according to load chart.

# STANDARD CONFIGURATION

## POWER SYSTEM

- Yuchai 4A125-T300 diesel engine
- Two-speed automatic transmission
- High strength drive axle
- Heavy duty steering axle
- Elevated air pre-cleaner
- Fuel system pre-filter
- Radiator
- Middle exhaust

## HYDRAULIC SYSTEM

- 2-funtion hydraulic valve
- Hydrostatic steering
- Oil filter for intake and return

## ELECTRIC SYSTEM

- 2 batteries
- Front flood lights
- Front steering lights
- Rear combination lights
- Rear working lights
- Buzzer for back off

## UNDERCARRIAGE

- High strength frame
- 1 piece counterweight
- Tow pin
- Air filled pneumatic drive tires
- Air filled pneumatic steer tires

## MAST

- 2.0M Full free 2-stage mast
- 1800mm Wide shaft type carriage
- Load backrest
- 1500mm long shaft type pallet forks

## OPERATOR STATION

- Overhead guard
- Locks for engine hood
- Vinyl cushion seat with seat belt
- Ignition lock
- Display with alarms, fuel rate, water temperature, working hour
- Tilt steering column
- Inching, brake and accelerator pedals
- Hand parking
- Floor mat
- Hydraulic electronic shifting
- Front view imaging equipment

# OPTIONAL CONFIGURATION

## HYDRAULIC SYSTEM

- 3-funtion hydraulic valve
- 4-funtion hydraulic valve

## UNDERCARRIAGE

- Solid pneumatic drive tires
- Solid pneumatic steer tires

## MAST

- Longer shaft type pallet forks

## ELECTRIC SYSTEM

- Amber warning light
- License plate light

## OPERATION STATION

- Fire extinguisher
- Protective cover for tilt cylinde
- Master key
- Half-suspension vinyl seat(tiancheng)
- Grammer full-suspension vinyl seat