

Creating a **E** Better Future



Liuzhou Liugong Forklift Co., Ltd.
No. 1 Yanghe Avenue, Yanghe Industrial New Zone,
Liuzhou City, Guangxi Zip Code (P): 545006
Sales Hotline (T): 0772-2040713
Service Hotline (T): 0772-2040720/ 0772-2040721
E-mail (E): liugonglrs@liugong.com
Website (W): www.lgforklift.cn



Official website (OW)



Media Platform (MP)

LG-PB-CPCD160E -2310

Liugong is committed to updating, upgrading, and improving products. The Company reserves the right to modify designs and parameters without prior informing of users. The product configuration and appearance shown in the picture are for reference only, and the actual products may vary.

The logos and marks in this brochure are the trademarks registered by Guangxi Liugong Group Co., Ltd. The use of such logos and marks has been legally authorized to the Company. Others shall not use them without prior authorization.



**12-18T Counter-Balanced
Internal Combustion Forklift**



- [Safe and Reliable]**
- [Comfortable Operation]**
- [Energy Conservation and Environmental Protection]**
- [Ease of Maintenance]**

TOUGH WORLD.TOUGH EQUIPMENT.

Safe and Reliable

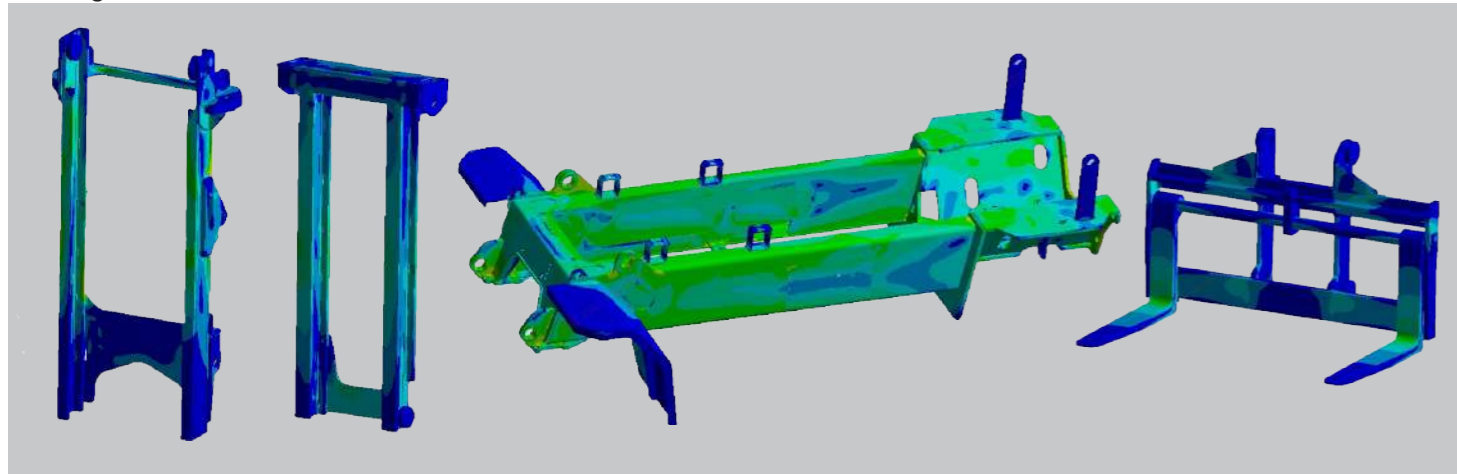
- Cummins Engine
- LiuGong automatic shift gearbox with self-owned intellectual property rights. The number of the gearbox in use is over 10,000 units;
- LiuGong wet-type brake drive axle (optional configuration) with independent intellectual property rights features super strong bearing capacity. The number of the drive axle in use is 20,000;
- Four-in-one combined single-layer radiator ensures continuous operation under extreme working conditions such as high temperatures.



Comfortable Operation



- hydraulic braking system ensures safe and smooth parking;
- The OPS system (optional configuration) brings greater safety;
- The structural parts designed and manufactured through CAE simulation analysis feature super durability and longer service life.

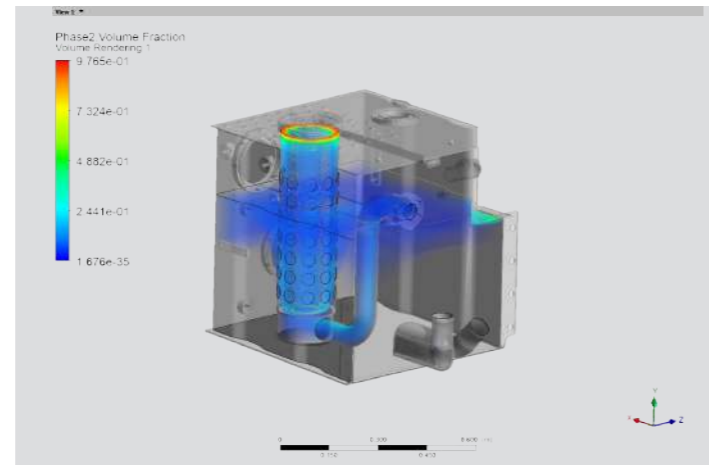
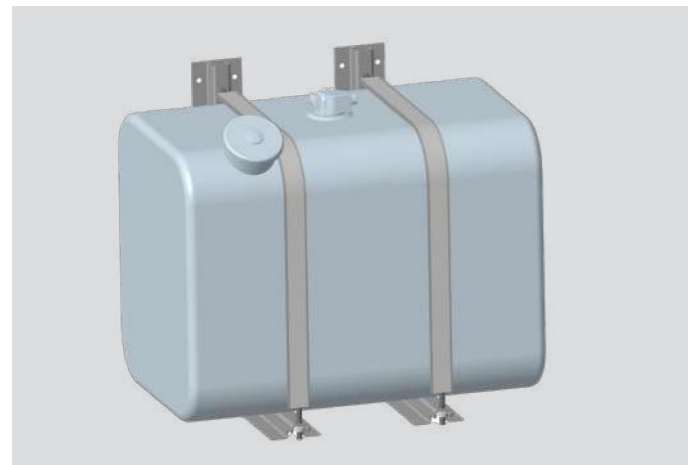


- Wide-view mast design expands the front view by 8%;
- Suspended overhead guard improves the driving comfort;
- Automatic gear shifting device with independent intellectual property right brings smooth gear shifting operations and nice driving experience.



Energy Conservation and Environment Protection

- Cummins B5.9 engine (standard configuration) lowers the use cost without the addition of diesel exhaust fluid;
- LiuGong patented hydraulic defoaming technology lowers the temperature of hydraulic oil, Prolonged oil change intervals, and increase the service life of hydraulic components;
- Aluminum alloy fuel tank ensures the cleanness of diesel fuel and guarantees long service life of engine components.



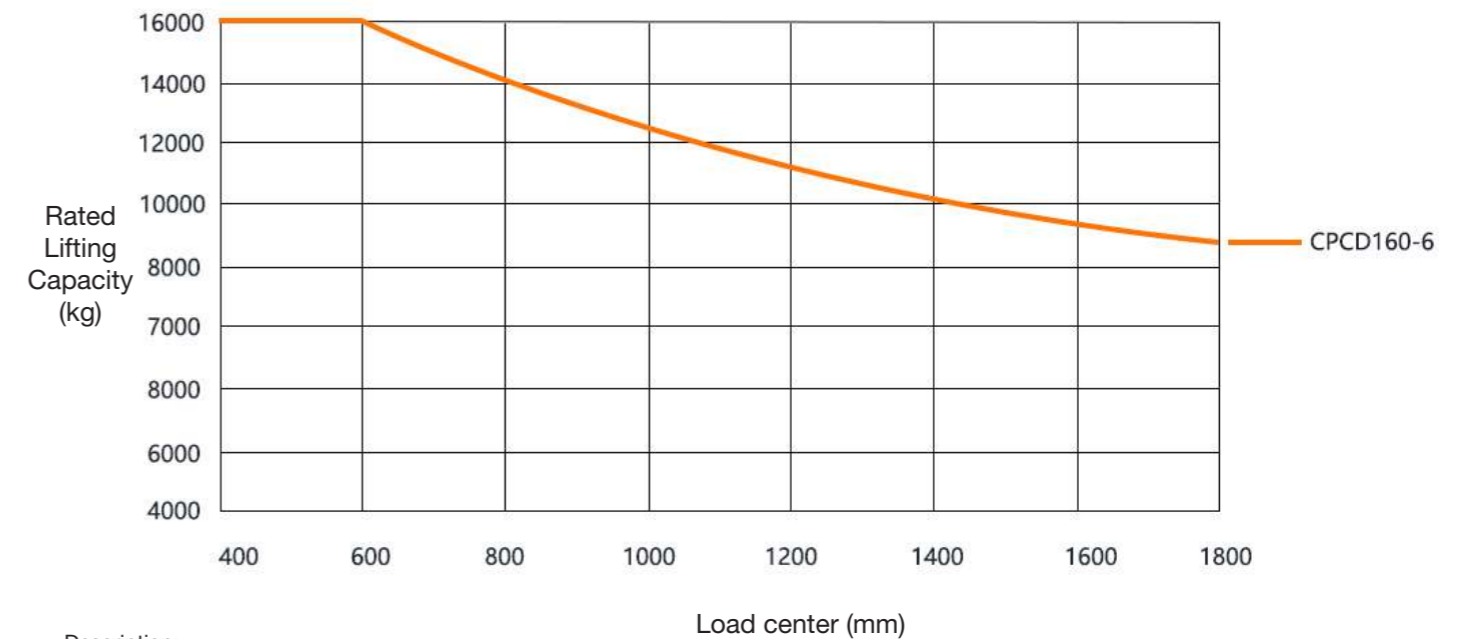
Ease of Maintenance

- Centrally inspect and repair the electrical control cabinet, and open the hood to expose air filters, oil filters and other maintenance components. The electric control cabinet is designed in an integrated form to facilitate centralized overhaul. Service technicians can easily access to air filter, oil filter and other maintenance parts and components by simply opening the hood.



Mast load capacity

| Mast type | Max. Lift Height (mm) | Mast height (mm) | Mast tilt (°) | Free lift height (mm) | Load capacity (Load center distance 600mm) (kg) | Machine weight (with standard fork) (kg) |
|-------------------------|-----------------------|------------------|---------------|-----------------------|---|--|
| | | | | | With standard fork | |
| Secondary ordinary mast | 3000 | 3365 | 6/12 | 0 | 16000 | 19700 |
| | 3500 | 3495 | 6/12 | 0 | 16000 | 19765 |
| | 4000 | 3745 | 6/12 | 0 | 16000 | 19973 |
| | 4500 | 3995 | 6/12 | 0 | 16000 | 20081 |
| | 5000 | 4295 | 6/6 | 0 | 16000 | 20213 |
| | 5500 | 4545 | 3/6 | 0 | 15000 | 20320 |
| | 6000 | 4845 | 3/6 | 0 | 14000 | 20461 |
| | 6500 | 5095 | 3/6 | 0 | 13000 | 20477 |



Description:

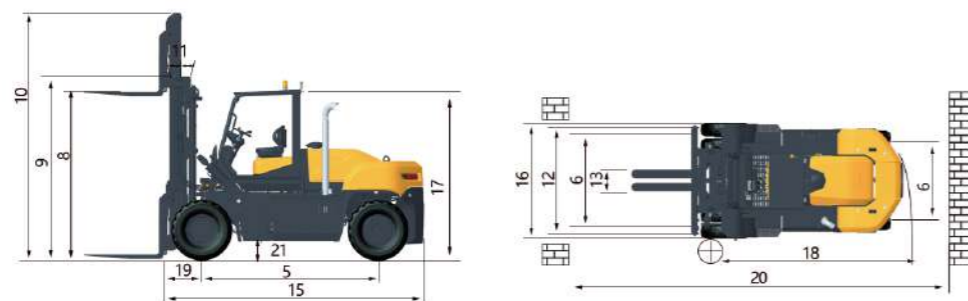
The vertical axis means the rated lifting capacity, and the horizontal axis means the load center. The load center is calculated from the front of the fork. The base point of the standard load refers to the center of a cube with a side length of 1,200 mm.

The rated lifting capacity will be reduced when the mast is tilted forward, non-standard forks are used, or the loads exceeding normal width are loaded.

Users can refer to the rated lifting capacity curve for the rated lifting capacity at various load centers.

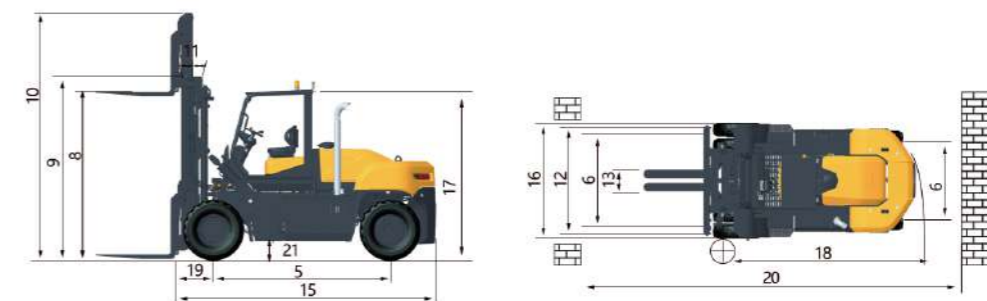
Performance Parameters

| | | | | | | | |
|-----------------------|---|--------------|----------------------------|------------|-----------------------------------|-----------------------------------|----------------|
| Overall | Model | 1 | | CPCD120-09 | CPCD135-06 | | |
| | Type of engine | 2 | | Diesel | Diesel | | |
| | Rated lifting capacity | 3 | Rated load center distance | kg | 12000 | 13500 | |
| | Rated load center distance | 4 | | mm | 900 | 600 | |
| | Wheel base | 5 | | mm | 3250 | 3250 | |
| | Track | 6 | Front wheel/rear wheel | mm | 1975/1935 | 1975/1935 | |
| Weight | Dead Weight | 7 | No-load | kg | 19300 | 18750 | |
| | Maximum lifting height | 8 | Two-stage standard mast | mm | 3000 | 3000 | |
| Mast | Full height with mast not raised | 9 | Two-stage standard mast | mm | 3365 | 3365 | |
| | Full height with mast not lowered | 10 | Two-stage standard mast | mm | 4865 | 4865 | |
| | Mast tilt angle (forward/backward) | 11 | Two-stage standard mast | ° | 6°/12° | 6°/12° | |
| | Fork carriage | 12 | Width | mm | 2490 | 2490 | |
| | Adjustable range of the fork | 13 | Min/Max | mm | 500-2370 | 500-2370 | |
| | Fork dimension | 14 | Thickness x width x length | mm | 85 x 200 x 1820 | 85 x 200 x 1370 | |
| Chassis | Overall length (to front end of the fork) | 15 | Two-stage standard mast | mm | 4906 | 4906 | |
| | Overall width | 16 | | mm | 2663 | 2663 | |
| | Overhead guard height | 17 | | mm | 3106 | 3106 | |
| | Min. turning radius | 18 | | mm | 4650 | 4650 | |
| | Front overhang | 19 | | mm | 796 | 796 | |
| | Right angle stack | 20 | | mm | 7200 | 7200 | |
| | Minimum ground clearance | 21 | At mast (no-load) | mm | 275 | 275 | |
| Performance | Travel speed | 22 | Full load/unloaded | km/h | 26/30 | 26/30 | |
| | Lift speed | 23 | Full load/unloaded | mm/s | 370/390 | 370/390 | |
| | Lower speed | 24 | Full load/unloaded | mm/s | 400 | 400 | |
| | Maximum gradeability | 25 | Full load/unloaded | % | 26/30 | 26/30 | |
| | Service brake | 26 | | | Hydraulic Brake | Hydraulic Brake | |
| System Configuration: | Parking | 27 | | | Hydraulic release mechanical lock | Hydraulic release mechanical lock | |
| | Engine | 28 | Brand | | Dongfeng Cummins | Dongfeng Cummins | |
| | | 29 | Model | | B5.9CS IV -175C | B5.9CS IV -175C | |
| | | 30 | Emission stage | | China IV | China IV | |
| | | 31 | Number of cylinder | | 6 | 6 | |
| | | 32 | Displacement | L | 5.9 | 5.9 | |
| | | 33 | Rated Power | kW/rpm | 129/2200 | 129/2200 | |
| | | 34 | Max.torque | N.m/rpm | 760/1300 | 760/1300 | |
| | Gearbox | 35 | Manufacturer | | LiuGong | LiuGong | |
| | | 36 | Model | | PTF205 | PTF205 | |
| | | 37 | Gears | | Front 2/ Rear 1 | Front 2/ Rear 1 | |
| | Drive axle | 38 | Manufacturer | | LiuGong | LiuGong | |
| | | 39 | Model | | ADF700 | ADF700 | |
| | Tire | Type of tire | 40 | | | Pneumatic tire | Pneumatic tire |
| Tires number | | 41 | Front wheel/rear wheel | | 4/2 | 4/2 | |
| Tire size | | 42 | Front tire | | | 12.00-20-20PR | 12.00-20-20PR |
| | | 43 | Rear wheel | | | 12.00-20-20PR | 12.00-20-20PR |



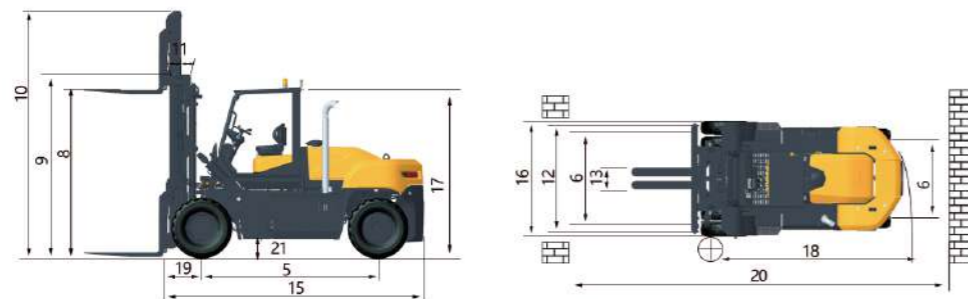
Performance Parameters

| | | | | | | | |
|-----------------------|---|--------------|----------------------------|------------|-----------------------------------|-----------------------------------|----------------|
| Overall | Model | 1 | | CPCD150-06 | CPCD160-06 | | |
| | Type of engine | 2 | | Diesel | Diesel | | |
| | Rated lifting capacity | 3 | Rated load center distance | kg | 15000 | 16000 | |
| | Rated load center distance | 4 | | mm | 600 | 600 | |
| | Wheel base | 5 | | mm | 3250 | 3250 | |
| | Track | 6 | Front wheel/rear wheel | mm | 1975/1935 | 1975/1935 | |
| Weight | Dead Weight | 7 | No-load | kg | 19200 | 19770 | |
| | Maximum lifting height | 8 | Two-stage standard mast | mm | 3000 | 3000 | |
| Mast | Full height with mast not raised | 9 | Two-stage standard mast | mm | 3365 | 3365 | |
| | Full height with mast not lowered | 10 | Two-stage standard mast | mm | 4865 | 4865 | |
| | Mast tilt angle (forward/backward) | 11 | Two-stage standard mast | ° | 6°/12° | 6°/12° | |
| | Fork carriage | 12 | Width | mm | 2490 | 2490 | |
| | Adjustable range of the fork | 13 | Min/Max | mm | 500-2370 | 500-2370 | |
| | Fork dimension | 14 | Thickness x width x length | mm | 85 x 200 x 1370 | 85 x 200 x 1370 | |
| Chassis | Overall length (to front end of the fork) | 15 | Two-stage standard mast | mm | 4906 | 4906 | |
| | Overall width | 16 | | mm | 2663 | 2663 | |
| | Overhead guard height | 17 | | mm | 3106 | 3106 | |
| | Min. turning radius | 18 | | mm | 4650 | 4650 | |
| | Front overhang | 19 | | mm | 796 | 796 | |
| | Right angle stack | 20 | | mm | 7200 | 7200 | |
| | Minimum ground clearance | 21 | At mast (no-load) | mm | 275 | 275 | |
| Performance | Travel speed | 22 | Full load/unloaded | km/h | 26/30 | 26/30 | |
| | Lift speed | 23 | Full load/unloaded | mm/s | 370/390 | 370/390 | |
| | Lower speed | 24 | Full load/unloaded | mm/s | 400 | 400 | |
| | Maximum gradeability | 25 | Full load/unloaded | % | 26/30 | 26/30 | |
| | Service brake | 26 | | | Hydraulic Brake | Hydraulic Brake | |
| System Configuration: | Parking | 27 | | | Hydraulic release mechanical lock | Hydraulic release mechanical lock | |
| | Engine | 28 | Brand | | Dongfeng Cummins | Dongfeng Cummins | |
| | | 29 | Model | | B5.9CS IV -175C | B5.9CS IV -175C | |
| | | 30 | Emission stage | | China IV | China IV | |
| | | 31 | Number of cylinder | | 6 | 6 | |
| | | 32 | Displacement | L | 5.9 | 5.9 | |
| | | 33 | Rated Power | kW/rpm | 129/2200 | 129/2200 | |
| | | 34 | Max.torque | N.m/rpm | 760/1300 | 760/1300 | |
| | Gearbox | 35 | Manufacturer | | LiuGong | LiuGong | |
| | | 36 | Model | | PTF205 | PTF205 | |
| | | 37 | Gears | | Front 2/ Rear 1 | Front 2/ Rear 1 | |
| | Drive axle | 38 | Manufacturer | | LiuGong | LiuGong | |
| | | 39 | Model | | ADF700 | ADF700 | |
| | Tire | Type of tire | 40 | | | Pneumatic tire | Pneumatic tire |
| Tires number | | 41 | Front wheel/rear wheel | | 4/2 | 4/2 | |
| Tire size | | 42 | Front tire | | | 12.00-20-20PR | 12.00-20-20PR |
| | | 43 | Rear wheel | | | 12.00-20-20PR | 12.00-20-20PR |



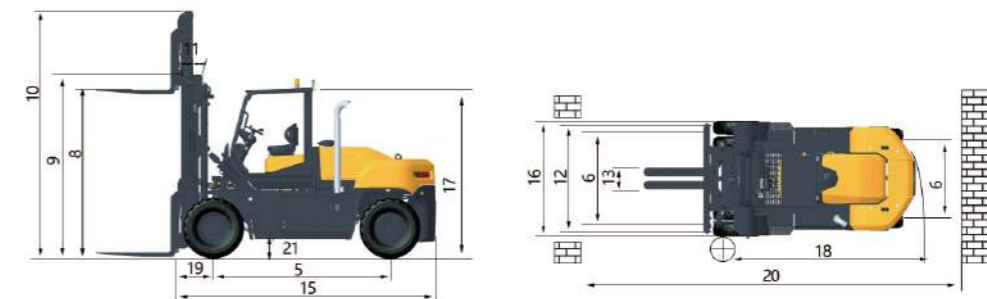
Performance Parameters

| | | | | | | |
|-----------------------|---|----|----------------------------|-----------------------------------|-----------------------------------|------------------|
| Overall | Model | 1 | | CPCD140-09 | CPCD150-09 | |
| | Type of engine | 2 | | Diesel | Diesel | |
| | Rated lifting capacity | 3 | Rated load center distance | kg | 14000 | 15000 |
| | Rated load center distance | 4 | | mm | 900 | 900 |
| | Wheel base | 5 | | mm | 3500 | 3500 |
| | Track | 6 | Front wheel/rear wheel | mm | 1975/1935 | 1975/1935 |
| Weight | Dead Weight | 7 | No-load | kg | 22920 | 22920 |
| | Maximum lifting height | 8 | Two-stage standard mast | mm | 3000 | 3000 |
| Mast | Full height with mast not raised | 9 | Two-stage standard mast | mm | 3340 | 3340 |
| | Full height with mast not lowered | 10 | Two-stage standard mast | mm | 4840 | 4840 |
| | Mast tilt angle (forward/backward) | 11 | Two-stage standard mast | ° | 6°/12° | 6°/12° |
| | Fork carriage | 12 | Width | mm | 2590 | 2590 |
| | Adjustable range of the fork | 13 | Min/Max | mm | 610-2150 | 610-2150 |
| | Fork dimension | 14 | Thickness x width x length | mm | 95x200x1820 | 95x200x1820 |
| Chassis | Overall length (to front end of the fork) | 15 | Two-stage standard mast | mm | 5285 | 5285 |
| | Overall width | 16 | | mm | 2663 | 2663 |
| | Overhead guard height | 17 | | mm | 3300 | 3300 |
| | Min. turning radius | 18 | | mm | 4750 | 4750 |
| | Front overhang | 19 | | mm | 935 | 935 |
| | Right angle stack | 20 | | mm | 7745 | 7745 |
| Performance | Minimum ground clearance | 21 | At mast (no-load) | mm | 275 | 275 |
| | Travel speed | 22 | Full load/unloaded | km/h | 28/30 | 28/30 |
| | Lift speed | 23 | Full load/unloaded | mm/s | 370/420 | 370/420 |
| | Lower speed | 24 | Full load/unloaded | mm/s | 400/400 | 400/400 |
| | Maximum gradeability | 25 | Full load/unloaded | % | 28/30 | 28/30 |
| System Configuration: | Service brake | 26 | | Hydraulic Brake | Hydraulic Brake | |
| | Parking | 27 | | Hydraulic release mechanical lock | Hydraulic release mechanical lock | |
| | Engine | 28 | Brand | | Dongfeng Cummins | Dongfeng Cummins |
| | | 29 | Model | | YCA07175-T400 | YCA07175-T400 |
| | | 30 | Emission stage | | China IV | China IV |
| | | 31 | Number of cylinder | | 6 | 6 |
| | | 32 | Displacement | L | 6.7 | 6.7 |
| | | 33 | Rated Power | kW/rpm | 129/2200 | 129/2200 |
| | Gearbox | 34 | Max.torque | N.m/rpm | 760/1400 | 760/1400 |
| | | 35 | Manufacturer | | LiuGong | LiuGong |
| | | 36 | Model | | PTF205 | PTF205 |
| | | 37 | Gears | | Front 2/ Rear 1 | Front 2/ Rear 1 |
| | Drive axle | 38 | Manufacturer | | LiuGong | LiuGong |
| | | 39 | Model | | AWF700 | AWF700 |
| Tire | Type of tire | 40 | | Pneumatic tire | Pneumatic tire | |
| | Tires number | 41 | Front wheel/rear wheel | 4/2 | 4/2 | |
| | Tire size | 42 | Front tire | | 12.00-20-20PR | 12.00-20-20PR |
| | | 43 | Rear wheel | | 12.00-20-20PR | 12.00-20-20PR |



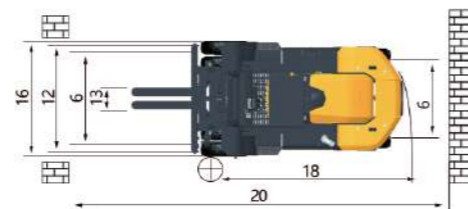
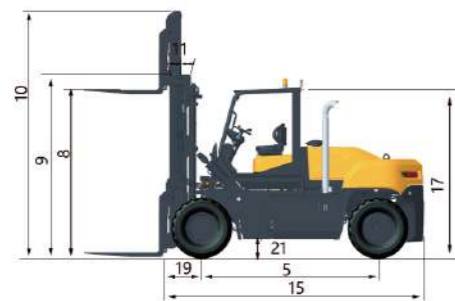
Performance Parameters

| | | | | | | |
|-----------------------|---|----|----------------------------|-----------------------------------|-----------------------------------|------------------|
| Overall | Model | 1 | | CPCD160-09 | CPCD180-06 | |
| | Type of engine | 2 | | Diesel | Diesel | |
| | Rated lifting capacity | 3 | Rated load center distance | kg | 16000 | 18000 |
| | Rated load center distance | 4 | | mm | 900 | 600 |
| | Wheel base | 5 | | mm | 3500 | 3500 |
| | Track | 6 | Front wheel/rear wheel | mm | 1975/1935 | 1975/1935 |
| Weight | Dead Weight | 7 | No-load | kg | 23300 | 23400 |
| | Maximum lifting height | 8 | Two-stage standard mast | mm | 3000 | 3000 |
| Mast | Full height with mast not raised | 9 | Two-stage standard mast | mm | 3340 | 3340 |
| | Full height with mast not lowered | 10 | Two-stage standard mast | mm | 4840 | 4840 |
| | Mast tilt angle (forward/backward) | 11 | Two-stage standard mast | ° | 6°/12° | 6°/12° |
| | Fork carriage | 12 | Width | mm | 2590 | 2590 |
| | Adjustable range of the fork | 13 | Min/Max | mm | 610-2150 | 610-2150 |
| | Fork dimension | 14 | Thickness x width x length | mm | 95x200x1820 | 95x200x1520 |
| Chassis | Overall length (to front end of the fork) | 15 | Two-stage standard mast | mm | 5285 | 5285 |
| | Overall width | 16 | | mm | 2663 | 2663 |
| | Overhead guard height | 17 | | mm | 3300 | 3300 |
| | Min. turning radius | 18 | | mm | 4750 | 4750 |
| | Front overhang | 19 | | mm | 935 | 935 |
| | Right angle stack | 20 | | mm | 7745 | 7745 |
| Performance | Minimum ground clearance | 21 | At mast (no-load) | mm | 275 | 275 |
| | Travel speed | 22 | Full load/unloaded | km/h | 28/30 | 28/30 |
| | Lift speed | 23 | Full load/unloaded | mm/s | 370/420 | 350/420 |
| | Lower speed | 24 | Full load/unloaded | mm/s | 400/400 | 400/400 |
| | Maximum gradeability | 25 | Full load/unloaded | % | 28/30 | 28/30 |
| System Configuration: | Service brake | 26 | | Hydraulic Brake | Hydraulic Brake | |
| | Parking | 27 | | Hydraulic release mechanical lock | Hydraulic release mechanical lock | |
| | Engine | 28 | Brand | | Dongfeng Cummins | Dongfeng Cummins |
| | | 29 | Model | | YCA07175-T400 | YCA07175-T400 |
| | | 30 | Emission stage | | China IV | China IV |
| | | 31 | Number of cylinder | | 6 | 6 |
| | | 32 | Displacement | L | 6.7 | 6.7 |
| | | 33 | Rated Power | kW/rpm | 129/2200 | 129/2200 |
| | Gearbox | 34 | Max.torque | N.m/rpm | 760/1400 | 760/1400 |
| | | 35 | Manufacturer | | LiuGong | LiuGong |
| | | 36 | Model | | PTF205 | PTF205 |
| | | 37 | Gears | | Front 2/ Rear 1 | Front 2/ Rear 1 |
| | Drive axle | 38 | Manufacturer | | LiuGong | LiuGong |
| | | 39 | Model | | AWF700 | AWF700 |
| Tire | Type of tire | 40 | | Pneumatic tire | Pneumatic tire | |
| | Tires number | 41 | Front wheel/rear wheel | 4/2 | 4/2 | |
| | Tire size | 42 | Front tire | | 12.00-20-20PR | 12.00-20-20PR |
| | | 43 | Rear wheel | | 12.00-20-20PR | 12.00-20-20PR |



Performance Parameters

| | | | | | | | |
|-----------------------|---|----|----------------------------|----------------|-----------------------------------|-----------------------------------|-----------------------------------|
| Overall | Model | 1 | | CPCD150-12 | CPCD160-12 | CPCD180-12 | |
| | Type of engine | 2 | | Diesel | Diesel | Diesel | |
| | Rated lifting capacity | 3 | Rated load center distance | kg | 15000 | 16000 | 18000 |
| | Rated load center distance | 4 | | mm | 1200 | 1200 | 1200 |
| | Wheel base | 5 | | mm | 3750 | 3750 | 4000 |
| | Track | 6 | Front wheel/rear wheel | mm | 1975/1935 | 1975/1935 | 1975/1935 |
| Weight | Dead Weight | 7 | No-load | kg | 24200 | 24500 | 24800 |
| | Maximum lifting height | 8 | Two-stage standard mast | mm | 3000 | 3000 | 4000 |
| Mast | Full height with mast not raised | 9 | Two-stage standard mast | mm | 3340 | 3340 | 3840 |
| | Full height with mast not lowered | 10 | Two-stage standard mast | mm | 4840 | 4840 | 5840 |
| | Mast tilt angle (forward/backward) | 11 | Two-stage standard mast | ° | 6°/12° | 6°/12° | 6°/12° |
| | Fork carriage | 12 | Width | mm | 2590 | 2590 | 2590 |
| | Adjustable range of the fork | 13 | Min/Max | mm | 610-2150 | 610-2150 | 900-2150 |
| | Fork dimension | 14 | Thickness x width x length | mm | 100x200x2440 | 100x200x2440 | 110x200x2440 |
| Chassis | Overall length (to front end of the fork) | 15 | Two-stage standard mast | mm | 5535 | 5535 | 5535 |
| | Overall width | 16 | | mm | 2663 | 2663 | 2663 |
| | Overhead guard height | 17 | | mm | 3300 | 3300 | 3300 |
| | Min. turning radius | 18 | | mm | 5050 | 5050 | 5600 |
| | Front overhang | 19 | | mm | 1040 | 1040 | 1040 |
| | Right angle stack | 20 | | mm | 8565 | 8565 | 9110 |
| Performance | Minimum ground clearance | 21 | At mast (no-load) | mm | 275 | 275 | 275 |
| | Travel speed | 22 | Full load/unloaded | km/h | 26/29 | 26/29 | 26/29 |
| | Lift speed | 23 | Full load/unloaded | mm/s | 360/420 | 360/420 | 360/420 |
| | Lower speed | 24 | Full load/unloaded | mm/s | 400/400 | 400/400 | 400/400 |
| | Maximum gradeability | 25 | Full load/unloaded | % | 28/30 | 28/30 | 28/30 |
| System Configuration: | Service brake | 26 | | | Hydraulic Brake | Hydraulic Brake | Hydraulic Brake |
| | Parking | 27 | | | Hydraulic release mechanical lock | Hydraulic release mechanical lock | Hydraulic release mechanical lock |
| | Engine | 28 | Brand | | Cummins | Cummins | Cummins |
| | | 29 | Model | | B7 | B7 | B7 |
| | | 30 | Emission stage | | China IV | China IV | China IV |
| | | 31 | Number of cylinder | | 6 | 6 | 6 |
| | | 32 | Displacement | L | 6.7 | 6.7 | 6.7 |
| | | 33 | Rated Power | kW/rpm | 150/2200 | 150/2200 | 150/2200 |
| | | 34 | Max.torque | N.m/rpm | 890/1400 | 890/1400 | 890/1400 |
| | Gearbox | 35 | Manufacturer | | ZF | ZF | ZF |
| | | 36 | Model | | 171 | 171 | 171 |
| | | 37 | Gears | | Front 3/ Rear 3 | Front 3/ Rear 3 | Front 3/ Rear 3 |
| | Drive axle | 38 | Manufacturer | | LiuGong | LiuGong | LiuGong |
| | | 39 | Model | | AWF700 | AWF700 | AWF700 |
| Tire | Type of tire | 40 | | Pneumatic tire | Pneumatic tire | Pneumatic tire | |
| | Tires number | 41 | Front wheel/rear wheel | | 4/2 | 4/2 | |
| | Tire size | 42 | Front tire | | 12.00-20-28PR | 12.00-20-28PR | 12.00-20-28PR |
| | | 43 | Rear wheel | | 12.00-20-20PR | 12.00-20-20PR | 12.00-20-28PR |



Main Configuration Table

Standard configuration

| | | | |
|--|-------------------------------------|---------------------------|--|
| High exhaust | Transmission filter remote external | Transmission oil dipstick | Dry brake drive axle |
| Pneumatic tires (common) | hand operated control lever | Hydraulic level gauge | Adjustable steering gear |
| Driver's seat (seat belt) | Overhead guard | Hood lock | cup holder |
| Engine tachometer | Engine coolant temperature gauge | Fuel level gauge | Torque converter oil temperature gauge |
| Gear display meter | Speedometer | Operating hour meter | Warning Light |
| Dual rear headlights | USB charging port | USB charging port | Drawbar pin |
| Hydraulic distance adjustment fork (tandem shaft type) | | | |

Optional configurations

| | | | |
|---|--|--|---------------------------|
| Hydraulic distance adjustment fork (tandem shaft type) | Wet brake drive axle | Solid tires (normal) | Electro-hydraulic control |
| Tilt cylinder dustproof sheath | Shock-absorbing seat, seat belt (retractable type) | semi-suspension seat | Full-suspension seat |
| Suspended seat | Overhead guard (Windsheild) | Overhead guard (windshield resistant to 400°C) | Pick and place cab |
| Overall rollover cab | Universal lock cylinder | Full metal top cover | Front Wiper |
| Rear wiper | Front sunshade | Rear sunshade | License plate light |
| Straight-line laser warning light (Left/rear/right sides) | Blue light warning light (forward/reverse) | A/C (Cold & Warm) | Electric fan |
| Reverse camera | Driving recorder | Backup speech (Chinese) | Fleet Management System |
| Speech alarm for backup and steering | Speed limiter (speed limit + alarm) | Tool box | Custom paint |
| Fire extinguisher (2 pieces*2kg) | | | |