

## MAIN SPECIFICATION TABLE

Power System	Quanchai China IV S65-160C41 engine (EGR technical route)	•	Hydraulic System	4 way valve	
	Postprocessor	•		High pressure double-gear pump	•
	High exhaust unit	•		Full-hydraulic steering	•
	Plate-fin radiator	•		Hydraulic power brake	•
	Hydraulic oil radiator	•		Tilt oil circuit self-locking valve	•
	Single air filter	•		Lifting oil circuit speed regulator valve	•
	Double air filter (fine filter)	○		Lifting oil circuit explosion-proof valve	•
	Double air filter (oil filter)	○		Hydraulic oil suction filter	•
Electric System	Maintenance-free starter battery	•	Mast/attachment	Hydraulic return oil filter	•
	LED front and rear working headlights	•		Duplex multi-way valve	○
	Main power switch	•		Triple multi-way valve	○
	Horn	•		2 stage 3m wide field of visibility mast	•
	Backup alarm	•		2300mm single fork positioner	•
	Liugong telematics system	•		1370mm fork	•
	Cooling and Warm Air Conditioner	○		2 stage 3.5-6m wide field of visibility mast	○
	Heater	○		2300mm wide side shift fork positioner	○
Covers system	OPS function	○	Chassis	1520mm fork	○
	Standard overhead guard	•		1670mm fork	○
	Standard seat	•		1820mm fork	○
	Steering column adjustable device	•		1970mm fork	○
	On-Off non-slip pedal	•		2120mm fork	○
	On-vehicle handle	•		2440mm fork	○
	Double rear-view mirror	•		Heavy-duty drive axle	•
	cab	○		Electronic shift hydraulic transmission	•
		Heavy-duty steering axle	•		
		Pneumatic tire	•		
		Transmission oil secondary filter	•		
		Traction device	•		
		Solid pneumatic tire	○		

Note: • Standard configuration, ○ Optional configuration



## Creating a Better Future

LG-PB-CPCD120E -1023

The Liugong series of logos herein, including but not limited to word marks, device marks, letter of alphabet marks and combination marks, as the registered trademarks of Guangxi Liugong Group Co., Ltd. are used by Guangxi Liugong Machinery Co., Ltd. with legal permission, and shall not be used without permission. Specifications and designs are subject to change without notice. Illustrations and pictures may include optional equipment and may not include all standard equipment. Equipment and options varies by regional availability.



**TOUGH WORLD. TOUGH EQUIPMENT.**

Liuzhou Liugong Forklift Co., Ltd.  
No. 1 Yanghe Avenue, Yanghe Industrial  
New Zone, Liuzhou City, Guangxi  
Zip Code (P): 545006  
Sales Hotline (T): 0772-2040713  
Service Hotline (T): 0772-2040720/ 0772-2040721  
E-mail (E): liugonglrs@liugong.com  
Website (W): www.lgforklift.cn



Official website



Media Platform

# E SERIES CPCD120

## INTERNAL COMBUSTION COUNTERBALANCE FORKLIFT



**[SAFETY AND RELIABILITY]**

**[SMART AND EFFICIENT]**

**[COMFORT AND CONVENIENCE]**

**[ENERGY CONSERVATION AND ENVIRONMENTAL PROTECTION]**





## SAFETY:



#### ◆ Falling-object Protective Structures (FOPS)

- The high-strength overhead guard meets the CE safety standard according to the FOPS Falling-object Protective requirements



#### ◆ Standard Rear Working Lights

- Rear working lights are standard configuration for safer night work



#### ◆ Large Metal Stamping Non-slip Pedals

- Non-slip metal Off/On pedals make it more convenient and safer for people to get on the vehicle

#### ◆ More Optional Security Configurations

- Operator Presence System (OPS)
- Warning light, rear image, driving recorder, speed limit alarm, fire extinguisher, etc.



#### ◆ Standard Master Power Switch

- The standard master power switch is used to protect the electrical safety of the vehicle

## RELIABILITY:

#### ◆ High Strength Mast System

- The mast is made of high-strength steel to improve its strength by 35%
- Main rollers are more suitable for heavy loads due to cylindrical bearing support

#### ◆ Proven and Reliable Transmission and Axle

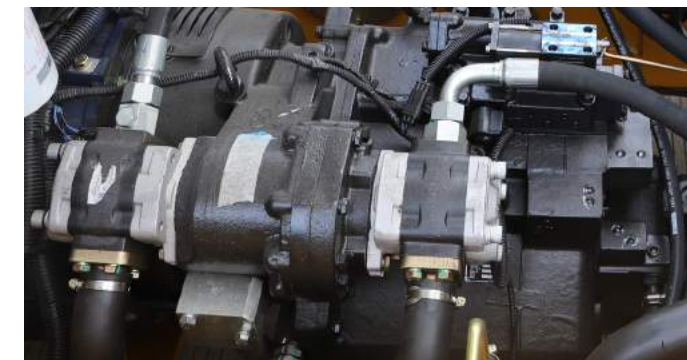
- The gearbox adopts the mainstream gearbox in the industry. After years of market verification, this gearbox has the advantages of reliability, durability and easy access to accessories.
- Cast steel drive axle, drum brake, widened brake shoes make heavy-duty braking more reliable
- Reinforced steering axle with large oil cylinder, the bearing adopts tapered bearings, which improves the reliability of the steering axle under heavy load conditions

#### ◆ Optimized Cooling System

- The heat dissipation system adopts the aluminum plate-fin radiator with a single-layer upper and lower parallel structure, which has the characteristics of fast heat dissipation, high efficiency, and convenient dust removal. It is suitable for high temperature and high dust working conditions
- Standard hydraulic oil radiator with better heat dissipation

#### ◆ High-level Protection of Electrical components

- Higher electrical circuit protection level, among which the protection level of the wiring harness connector is IP67, which can effectively prevent the erosion of rainwater and corrosive substances



- ◆ The mast adopts load-sensing priority steering + double-pump confluence technology to increase the mast lifting speed by 10%



#### ◆ With super bearing capacity, it is not easy to causetail warping during heavy load

- Front overhang shortened by 30mm
- 3000mm large wheelbase
- The center of gravity moves backward and the counterweight increases by 350kg



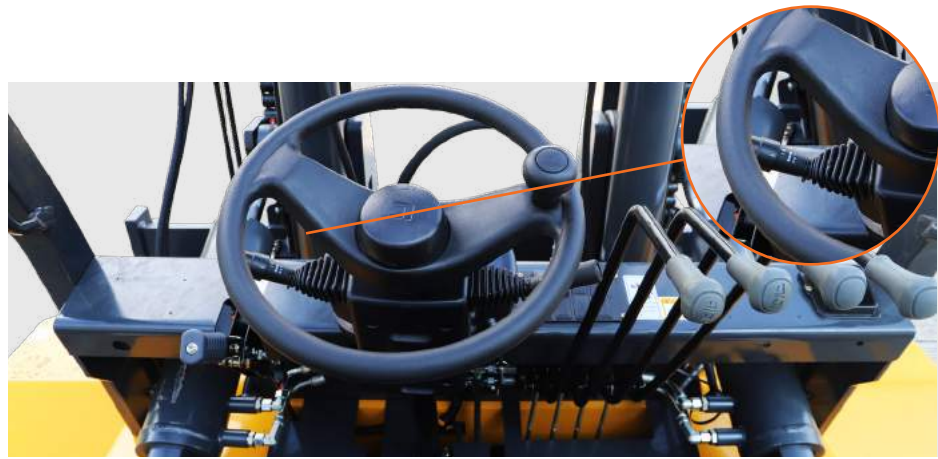
# 03

## COMFORT AND CONVENIENCE

### COMFORT:

#### ◆ Cab with Ergonomic Arrangement

● Based on ergonomics, the Creo Parametric ergonomics simulation software is used to optimize the design of the driver's field of vision, the space of the overhead guard, the front and rear adjustment angle of the steering column, the steering wheel steering, the position of the handle head of the hydraulic control lever, the position of the accelerator pedal and the installation angle. This optimization improves the overall operating comfort.



◆ Enhanced driving comfort with electronic gear shifting and a small-diameter steering wheel



#### ◆ Large-screen LCD instrument display

● The 3.5-inch large-screen LCD instrument makes the vehicle condition information rich and clear



#### ◆ Standard Electronic Throttle

● Accelerator and brake pedals are arranged on the same plane, which can effectively relieve driver's leg fatigue



#### ◆ Simulate Driver operation by Simulation Software

◆ Optional cab and air conditioner make driving more comfortable



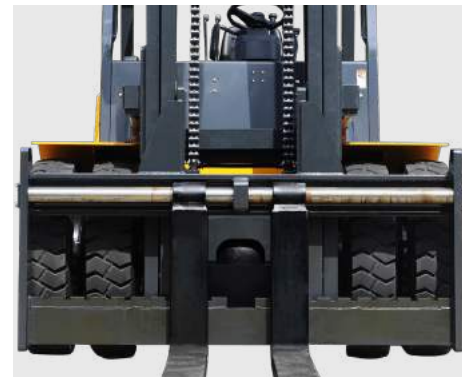
#### ◆ Anti-fatigue and anti-waterlogging comfortable seat

● Standard anti-fatigue comfortable seat with forward and backward adjustment function  
● Optional full suspension luxury seat



#### ◆ Large Steel On-vehicle Handrails

● Secure and safe large steel on-vehicle handrails



#### ◆ Standard Hydraulic Controllable Pitch

● Make fork adjustment easier and more convenient to improve work efficiency

### CONVENIENCE:



#### ◆ Large Angle Opening of Engine Hood

● 80° engine hood opening angle, detachable triangular side cover and large maintenance space

#### ◆ Removing Floor with Tool-free

● Simple operation, saving time and labor for routine maintenance



#### ◆ "One-stop" Maintenance

● Air filter blockage alarm, tool-free maintenance

● The integrated layout design of centralized machine filter, diesel filter, air filter and electrical fuse achieves "one-stop" daily maintenance



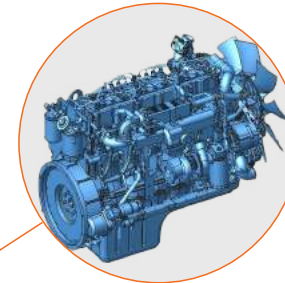
#### ◆ Tilt-up Rear Covers

● Make the maintenance of engine and water tank more convenient

# 04

## ENERGY CONSERVATION AND ENVIRONMENT PROTECTION

◆ China IV Quanchai S65-160C41 Six-cylinder Engine, 118kW Full Power, Bosch High-pressure Common Rail, EGR+DOC+DPF Mainstream Technology Route, No need to Use Urea



◆ Exclusive power curve adjustment, torque increased by 8%, fuel consumption reduced by 9%

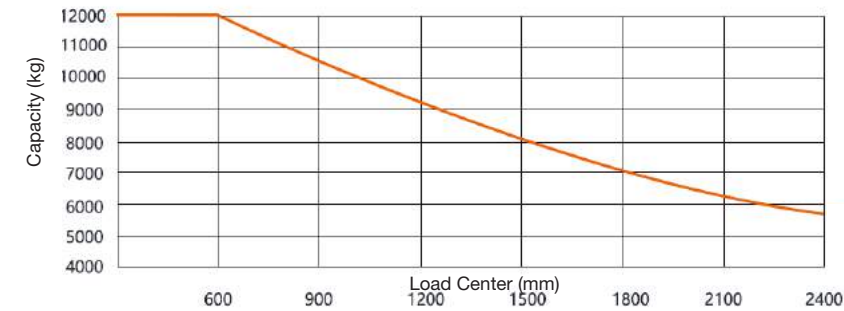


# 05 SPECIFICATION

General	Model	1		CPCD120-EQ2	CPCD120-EY4		
	Fuel	2		Diesel	Diesel		
	Rated lifting capacity	3	Load center	kg	12000	12000	
Load center	4		mm	600	600		
Weights	Dead Weight	5	Unloaded	kg	15300	15300	
	Axle load	6	Full load/unloaded, front axle	kg	23978/6583	23978/6583	
		7	Full load/unloaded, rear axle	kg	3397/8717	3397/8717	
Tires	Type of tire	8		Pneumatic tire	Pneumatic tire		
	Tires number	9	Front wheel/rear wheel		4 / 2		
	Wheelbase	10		mm	3000	3000	
		Tire Size	11	Front Tire		10.00-20-16PR	10.00-20-16PR
	12	Rear wheel		10.00-20-16PR	10.00-20-16PR		
Track (thread)	13	Front wheel/rear wheel	mm	1674/1844	1674/1844		
Mast	Lift height	14	std 2-Stage mast	mm	3000	3000	
	Free lift	15	std 2-Stage mast	mm	0	0	
	Height, mast lowered	16	std 2-Stage mast	mm	3150	3150	
	Height, mast extended	17	std 2-Stage mast	mm	4625	4625	
	Mast tilt, fwd/back	18	std 2-Stage mast	o	6 / 12	6 / 12	
	Fork carriage	19	Width	mm	2300	2300	
	Fork spread	20	Min/Max	mm	460/2180	460/2180	
	Fork dimensions	21	Thickness x width x length	mm	80×175×1370	80×175×1370	
	Chassis	Overall Length (to the front end of the fork)	22	std 2-Stage mast	mm	4500	4500
		Overall width	23		mm	2320	2320
Overhead guard height		24		mm	2595	2595	
Minimum Turning Radius		25		mm	4400	4400	
Front overhang		26	std 2-Stage mast	mm	730	730	
Right angle stack		27	add load length and clearance	mm	6700	6700	
Minimum Ground Clearance		28	under mast	mm	260	260	
	29	center of wheelbase	mm	350	350		
Performance	Travel speed	30	Full load/unloaded	km/h	28/30	28/30	
	Lift speed	31	Full load/unloaded	mm/s	390/430	390/430	
	Lower speed	32	Full load/unloaded	mm/s	420/370	420/370	
	Max. traction force	33	loaded	kN	100	100	
	Maximum Gradeability	35	Full load/unloaded	%	29 / 31	29 / 31	
Brake	Service brake	36		Pedal Brake/Full Hydraulic	Pedal Brake/Full Hydraulic		
	Parking	37		Manual/mechanical	Manual/mechanical		
Engine	Manufacturer	38		Quanchai	Yuchai		
	Model	39		S65-160C41	YCA07160-T480		
	Emission  stage	40		China IV	China IV		
	Number of cylinder	41		6	6		
	Displacement	42	L	6.44	6.87		
	Rated Power	43	kw/rpm	118/2200	118/2200		
	Maximum torque	44	N.m/rpm	700/1320-1650	670/1300-1600		
	Fuel tank volume	45	L	240	240		
Systems	Battery	46		V/Ah	2X12/120	2X12/120	
	Transmission	47	Type	Hydraulic transmission	Hydraulic transmission		
	Shift gear	48	For/Rev		2/2	2/2	
	Shift control	49		Electro-hydraulic	Electro-hydraulic		
	Attachment pressure	50		Mpa	16	16	

# 06 CAPACITY

Mast type	Max. Lift Height (mm)	Mast height (mm)	Mast tilt ( . )	Free lift height (mm)	Load capacity (Load center 600mm)(kg)		Weight (with standard fork) (kg)
					With standard fork	With side shifter	
Standard 2-Stage	3000	3150	10/12	80	12000	12000	15300
	3500	3400	10/12	80	12000	12000	15420
	4000	3650	10/12	80	12000	12000	15530
	4500	3950	10/12	80	12000	11850	15790
	5000	4200	6/6	80	12000	11600	15910
	5500	4500	6/6	80	11700	11350	16050
	6000	4750	6/6	80	11500	11100	16160



**Description:**  
 The vertical axis means the rated lifting capacity, and the horizontal axis means the load center. The load center is calculated from the front of the fork. The base point of the standard load refers to the center of a cube with a side length of 1200 mm.  
 Rated capacity will be reduced when the mast is tilted forward, non-standard forks are used, or loading a load wider than normal.  
 The rated lifting capacity at various load centers can be known in time by the rated lifting capacity curve.

# 07 TRUCK DIMENSIONS

